

# The Crafter chassis cab Brochure



Commercial  
Vehicles

## Ready for the toughest jobs.

- Robust design, technologies and driver assistance systems.
- More practical, economical, and innovative than ever before.
- Outstanding in its class.

### The perfect workplace.

- Available with an ergoComfort/ergoActive suspension seat\*
- A variety of storage solutions with a wide range of different ports and connections
- Available with a heated leather multi-function steering wheel\*
- Available with a 230V socket (300w)\*

### A choice of drive systems.

- Front wheel drive delivers the highest possible load compartment
- The first van to offer an 8-speed automatic gearbox with a choice of front wheel, rear wheel and 4MOTION all-wheel drive

### Value for money.

- High residual value
- Low fuel consumption
- Low maintenance costs

### Superb connectivity.

- Telematics preparation including FMS 3.0 compatibility\*
- Customer-specific function control unit (for special bodies and conversions)\*
- Car-Net mobile online services\*

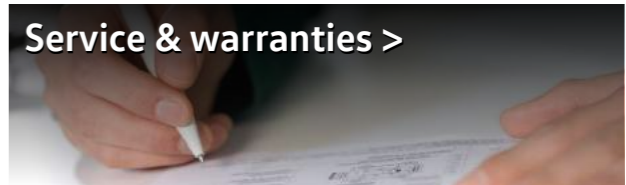
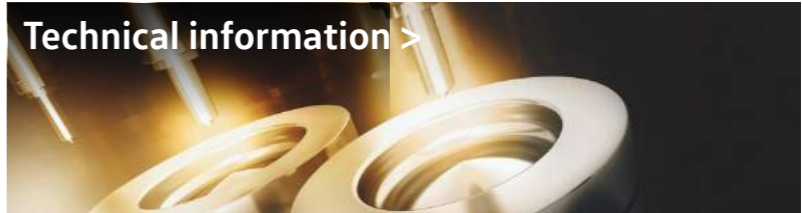
### Numerous driver assistance and safety systems.

- The first with City Emergency Braking and Automatic Post-Collision Braking as standard
- Electromechanical Servotronic steering as standard
- Side protection\*
- Lane Keeping Assist\*
- Rear Traffic Alert\*
- Trailer Assist\*
- Park Assist\*
- LED headlights\*

\* Available as an option.

Illustration includes options at extra charge. Please contact your local Volkswagen Commercial Vehicles Van Centre for details of the standard equipment and optional extras available.

# Contents





## Crafted by you. Engineered by us.

**More practical, economical and innovative than ever before.** The Crafter chassis cab is a commercial vehicle like no other. Designed by our customers for our customers. Built from the ground up, using 100% Volkswagen DNA as a cost-effective, transport-oriented solution to meet the demands of a diverse range of businesses. The Crafter chassis cab represents state-of-the-art manufacturing, with the sole aim of making it the best commercial vehicle in its class.

Illustration includes options at extra charge. Please contact your local Volkswagen Commercial Vehicles Van Centre for details of the standard equipment and optional extras available.

<a href="#">Exterior</a>	<a href="#">Interior</a>	<a href="#">Drive systems</a>	<a href="#">Assistance systems</a>	<a href="#">Crafter chassis cab</a>	<a href="#">Engineered to go™</a>	<a href="#">Crafter Bodies &amp; Conversions</a>	<a href="#">Business Pack</a>	<a href="#">Equipment</a>	<a href="#">Paint &amp; upholstery</a>	<a href="#">Mobile online services</a>	<a href="#">Technical information</a>	<a href="#">Price list</a>	<a href="#">Accessories</a>	<a href="#">Offers &amp; finance</a>	<a href="#">Service &amp; warranties</a>
--------------------------	--------------------------	-------------------------------	------------------------------------	-------------------------------------	-----------------------------------	--	-------------------------------	---------------------------	--	--	---------------------------------------	----------------------------	-----------------------------	--------------------------------------	--

# The perfect workplace. Delivering storage, comfort and technology.



### Storage and carrying compartments.

- A Practical open storage compartments, consisting of three separate spaces
- B Multiple sturdy cup holders
- C Largest glovebox in its class
- D Lower dashboard tray with space for longer items
- E Storage in the doors for 1.5 litre bottles, folders and much more. Optional above-cab storage (not shown)

### Ports and connections.

- F Standard USB port for charging mobile devices
- G Standard Bluetooth® connection for mobile phones in conjunction with all radio and navigation devices
- H Multiple 12V sockets. Optional 230V socket for charging tool batteries and laptops (not shown)

### Comfort.

- I Optional heated leather multi-function steering wheel
- J Narrow 'A' pillars for improved all-round vision

Illustration includes options at extra charge. Please contact your local Volkswagen Commercial Vehicles Van Centre for details of the standard equipment and optional extras available.

## The ergoComfort suspension seats. Adjustable for a more comfortable driving position.



### The ergoComfort suspension seat.

- 1 Suspension seat with weight adjustment
- 2 Longitudinal seat adjustment
- 3 Seat height adjustment
- 4 Seat depth adjustment
- 5 Seat tilt adjustment
- 6 Backrest adjustment
- 7 Electric 4-way lumbar support
- 8 Headrest adjustment
- 9 Armrest adjustment

### The ergoActive suspension seat.

- 10 Seat massage function\*

\* This feature is in addition to the standard features of the ergoComfort seat.

The optional ergoComfort and ergoActive suspension seats with 20-way adjustment are designed to deliver optimum comfort through the reduction of road-related jolts. The combination of electric and manual adjustment allows the driver to select their preferred seating position. In addition, should you desire, the massage function is also available for the ergoActive suspension seat only.



## A wide range of drive systems.

The Crafter chassis cab – available with an 8-speed automatic gearbox and a choice of three different drive systems.

The 8-speed automatic transmission is the only one in its class that can be combined with three different drive systems. It has been specially calibrated for the Crafter chassis cab's specific driving characteristics, enabling both comfortable and consumption-optimised handling.

### Front wheel drive.



100mm lower load sill and entry height.  
Highest load height in class.  
Highest payload in the range.



Transversely-mounted front engine.



### Rear wheel drive.



High towing capacity up to 3.5t.  
Gross train weight of up to 8.0t.  
Better traction with heavy loads.



Longitudinally-mounted front engine.

### 4MOTION all-wheel drive.



Dependable traction and control.  
Improved directional stability.



Transversely-mounted front engine.

102PS engine	6-speed manual gearbox
122PS engine	-
140PS engine	6-speed manual gearbox or 8-speed automatic gearbox
177PS engine	6-speed manual gearbox or 8-speed automatic gearbox

102PS engine	-
122PS engine	6-speed manual gearbox (only available in combination with twin tyres)
140PS engine	6-speed manual gearbox (only available in combination with single tyres or dual tyres on CR50 models)
177PS engine	6-speed manual gearbox or 8-speed automatic gearbox

102PS engine	-
122PS engine	-
140PS engine	6-speed manual gearbox
177PS engine	6-speed manual gearbox or 8-speed automatic gearbox

Illustration includes options at extra charge. Please contact your local Volkswagen Commercial Vehicles Van Centre for details of the standard equipment and optional extras available.

# State-of-the-art driver assistance and safety systems.




Illustration includes options at extra charge. Please contact your local Volkswagen Commercial Vehicles Van Centre for details of the standard equipment and optional extras available.

Watch video >



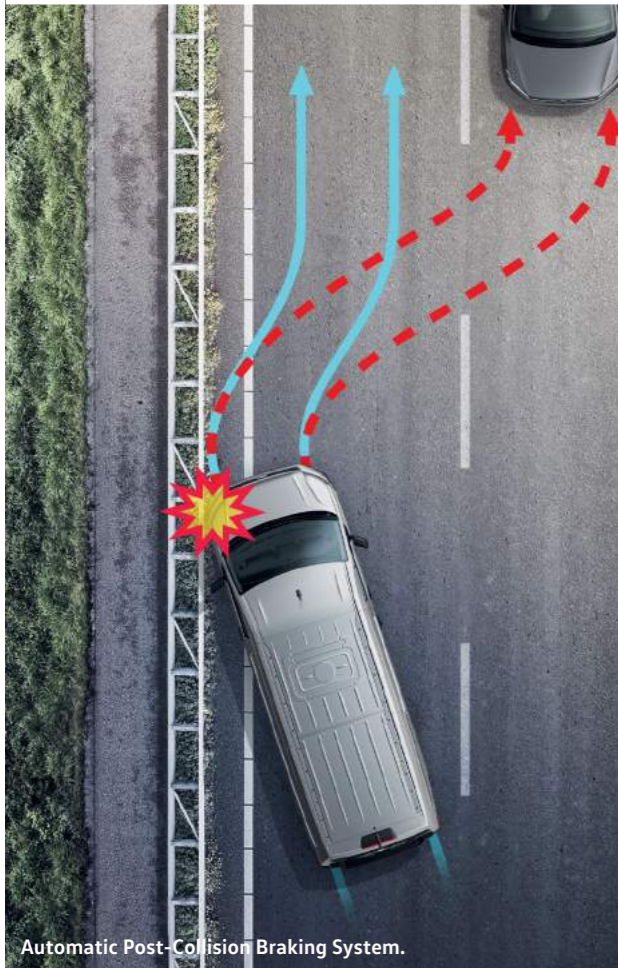
Front Assist with City Emergency Braking System.

 **Front Assist with City Emergency Braking System.** Standard across the Crafter chassis cab range, this detects critical distances, warns of hazardous situations and when necessary, triggers emergency braking.



# Assistance systems to help keep you one step ahead.

Watch video >



Automatic Post-Collision Braking System.

**(MCB) Automatic Post-Collision Braking System.**  
Fitted as standard, the Automatic Post-Collision Braking System triggers braking after a collision, with the aim of preventing secondary collisions.



Side protection.

**P Side protection.**  
Available as an option, Side protection monitors the vehicle's sides and alerts you with visual and audible warnings if you're getting too close to other vehicles, pillars, walls or pedestrians.



Trailer Assist.

**P Trailer Assist.**  
Available as an option, Trailer Assist automatically manoeuvres the vehicle, if fitted with a trailer, during parallel and reverse parking.

Watch video >



Adaptive Cruise Control (ACC).

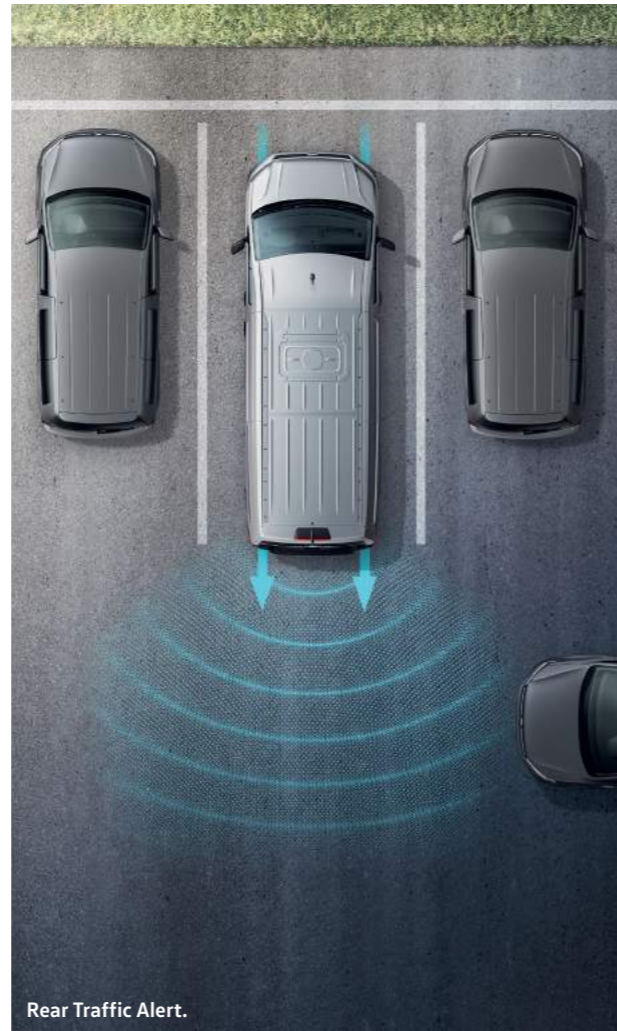
**ACC Adaptive Cruise Control (ACC).**  
Available as an option, ACC uses a front radar to measure the distance (up to 120 metres) and speed relative to vehicles driving ahead. It automatically regulates the pre-set distance. ACC also includes the Front Assist with City Emergency Braking System. This detects critical distances, warns of hazardous situations and when necessary, a speeds of up to 18mph triggers emergency braking.

Illustration includes options at extra charge. Please contact your local Volkswagen Commercial Vehicles Van Centre for details of the standard equipment and optional extras available.

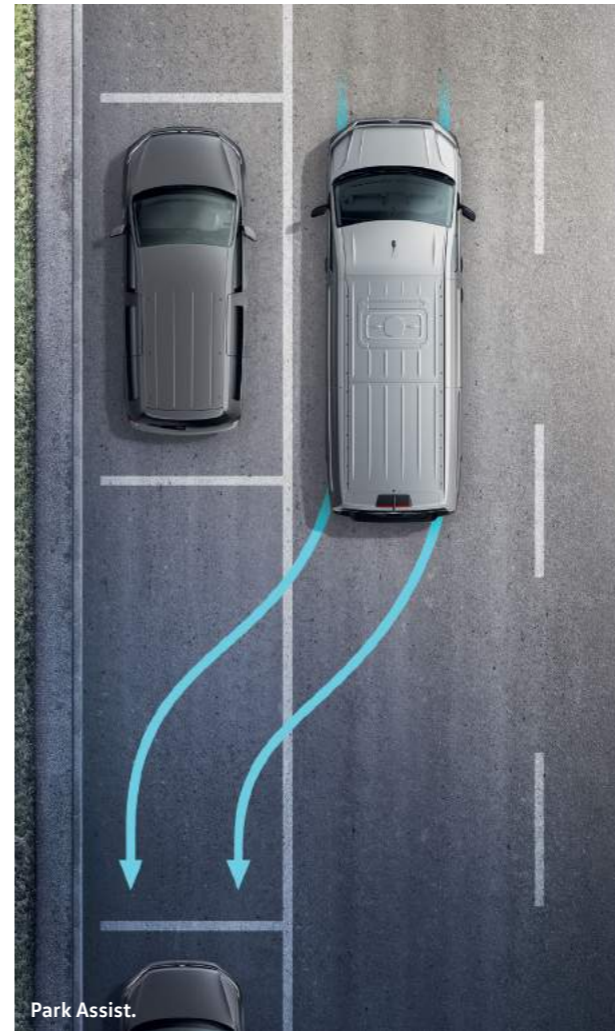
Exterior	Interior	Drive systems	Assistance systems	Crafter chassis cab	Engineered to go™	Crafter Bodies & Conversions	Business Pack	Equipment	Paint & upholstery	Mobile online services	Technical information	Price list	Accessories	Offers & finance	Service & warranties
----------	----------	---------------	--------------------	---------------------	-------------------	------------------------------	---------------	-----------	--------------------	------------------------	-----------------------	------------	-------------	------------------	----------------------



Lane Keeping Assist.



Rear Traffic Alert.



Park Assist.



Light Assist.



**Lane Keeping Assist.<sup>1</sup>**

Available as an option, Lane Keeping Assist countersteers the vehicle if the driver unintentionally drifts from a lane. The system also emits audible and visual warnings via the multi-function display to alert the driver of danger.



**Rear Traffic Alert.**

Available as an option, Rear Traffic Alert helps by emitting an audible warning when reversing out of a parking space if another vehicle is getting too close. If the driver fails to respond, the system intervenes and applies braking to help avoid a collision.



**Park Assist.**

This useful option aids positioning into parking spaces. When reverse is engaged, the vehicle assumes control of the steering. All that's required of the driver is operate the clutch, accelerator and brake pedals, whilst keeping a good lookout.



**Light Assist high-beam assistant.**

Automatically dips the headlights when it detects oncoming vehicles, or vehicles travelling ahead, to prevent other drivers from becoming dazzled. The system automatically switches on the high-beam headlights when the vehicle is travelling above 37mph in darkness.

<sup>1</sup> Within the system's thresholds.

Illustration includes options at extra charge. Please contact your local Volkswagen Commercial Vehicles Van Centre for details of the standard equipment and optional extras available.

**Electromechanical Servotronic steering.**  
Fitted as standard, Electromechanical Servotronic steering provides a speed-sensitive operation with active return. This improves the steering feel around the mid-point, providing improved levels of steering precision.

**Electronic Stabilisation Programme (ESP).**  
Fitted as standard, ESP is designed to prevent the vehicle from swerving in critical driving conditions by controlled and targeted intervention in the brakes and engine management system. This helps to maximise directional stability.

**Rear-view camera.<sup>1</sup>**  
Simplifies parking by showing a limited view of the area behind the vehicle on the display of the radio or navigation system. Additional guidelines help the driver manoeuvre into the space.

**Cruise control.**  
At 18mph and above, the system maintains your chosen preset speed through uphill and downhill inclines. Available as an option.

**Tyre pressure monitoring system.<sup>1</sup>**  
Displays the current pressure for every tyre and warns of deviations from the set pressure.

**Driver Alert System.<sup>1</sup>**  
Uses visual and audible warning signals to recommend that the driver takes a break as soon as it registers driving behaviour that indicates tiredness. Standard on all models.

**Road Sign Display.<sup>2</sup>**  
Detects road signs and informs the driver about the current traffic situation

**Fog lights with cornering function.**  
Ensures optimum visibility in poor weather conditions. The fog light on the inside of the curve illuminates the roadside when turning.

**Hill Descent Assist.<sup>3</sup>**  
Allows you to descend slopes in a safe, controlled way by regulating the engine speed and applying the brakes as necessary.

**Hill Start Assist.**  
This prevents the vehicle from rolling back on inclines, making it easier to start off on uphill slopes. Standard on all models.

**Lane Change Assist – Side Scan.<sup>1</sup>**  
Side Scan displays a warning signal on the exterior mirror as soon as one of its sensors detects a vehicle in a blind spot during a lane change.

**Anti-lock braking system (ABS).<sup>1</sup>**  
Prevents wheels from locking up and, thus, maintains manoeuvrability. Standard on all models.

**Traction control system (ASR).<sup>1</sup>**  
Prevents wheelspin on poor or unstable surfaces.

**Electronic differential lock (EDL).<sup>1</sup>**  
Distributes the engine torque to the tyres with the greatest traction.

**Driver's airbag.**  
Provides the best possible protection in the event of a frontal impact as a standard feature. A side-head airbag is also available as an option.

**Seat belt warning.**  
If their seat belt is not fastened, the seat belt warning reminds the driver to fasten it with a visual warning when the engine is started, and an audible warning after setting off. Standard on all models.



<sup>1</sup> Within the system's thresholds. <sup>2</sup> Only available in conjunction with the Discover Media navigation system. <sup>3</sup> Only in conjunction with 4MOTION all-wheel drive. Illustration includes options at extra charge. Please contact your local Volkswagen Commercial Vehicles Van Centre for details of the standard equipment and optional extras available.

## The Crafter chassis cab.

Starting from **£27,215** †

[Please click here for more details.](#)

The Crafter single and double cab form the perfect base for a wide range of specialist applications and conversions. With a sturdy ladder frame chassis at the heart of both models, as well as numerous task-specific factory options and extensive wheelbase, payload and engine combinations, the Crafter enables virtually any kind of body to be mounted. When it comes to moving your crew, the Crafter excels here too. While the chassis cab seats up to three, including the driver, the double cab seats seven, with all seats featuring 3-point seatbelts and adjustable head restraints as standard. Choose any Crafter single or double cab and you'll be building on a firm foundation.



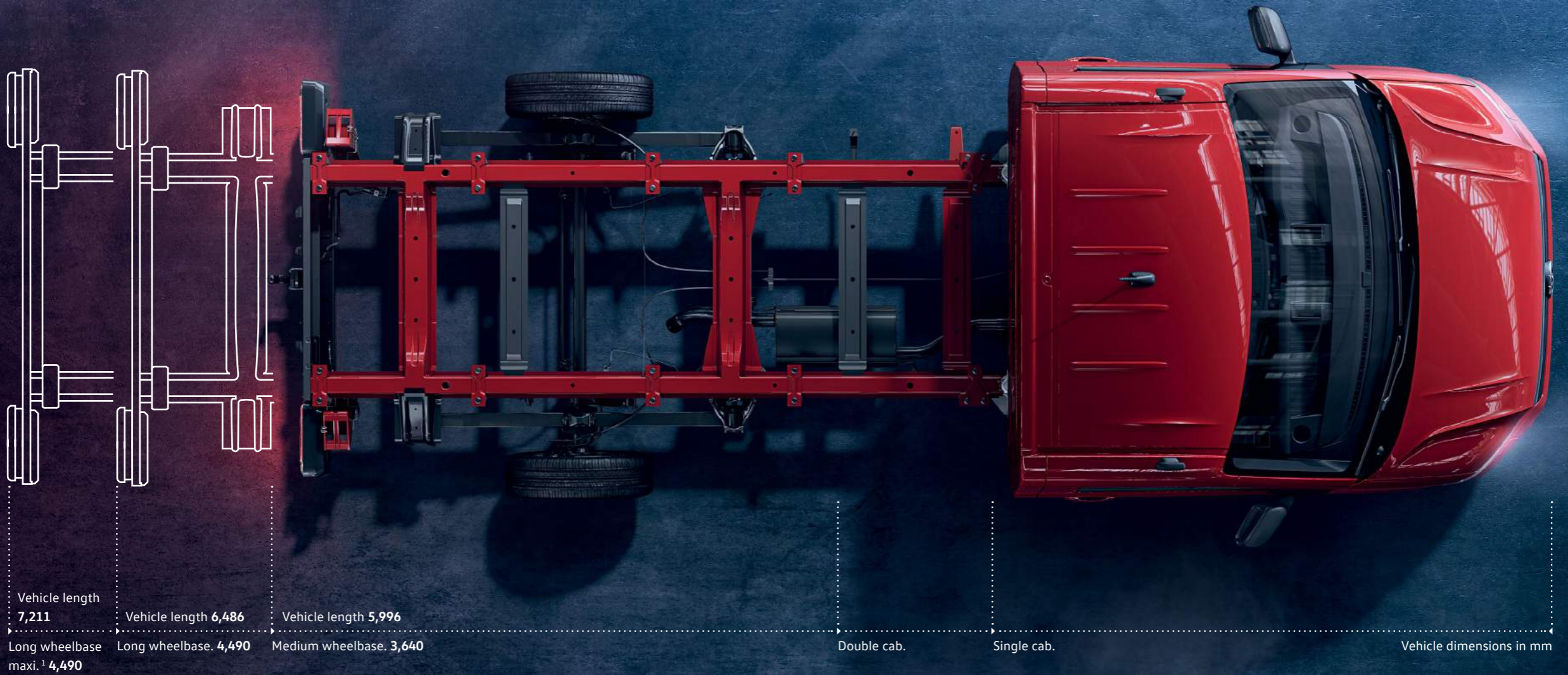
Model shown features double cab. Please note: body shown may not necessarily reflect current UK specification.

Volkswagen Commercial Vehicles may change RRP's at any time (this includes where there are government changes in regulation and/or legislation). There may be a delay to any RRP displaying correctly on our materials. Always obtain prices from your chosen authorised Van Centre.

† Basic RRP excluding VAT.

<a href="#">Exterior</a>	<a href="#">Interior</a>	<a href="#">Drive systems</a>	<a href="#">Assistance systems</a>	<a href="#">Crafter chassis cab</a>	<a href="#">Engineered to go™</a>	<a href="#">Crafter Bodies &amp; Conversions</a>	<a href="#">Business Pack</a>	<a href="#">Equipment</a>	<a href="#">Paint &amp; upholstery</a>	<a href="#">Mobile online services</a>	<a href="#">Technical information</a>	<a href="#">Price list</a>	<a href="#">Accessories</a>	<a href="#">Offers &amp; finance</a>	<a href="#">Service &amp; warranties</a>
--------------------------	--------------------------	-------------------------------	------------------------------------	-------------------------------------	-----------------------------------	--	-------------------------------	---------------------------	--	--	---------------------------------------	----------------------------	-----------------------------	--------------------------------------	--

Please refer to model variants section for an overview of the Crafter chassis cab model variants.



1 Only available in conjunction with single cab CR50 5.0T GVW.

Exterior	Interior	Drive systems	Assistance systems	Crafter chassis cab	Engineered to go™	Crafter Bodies & Conversions	Business Pack	Equipment	Paint & upholstery	Mobile online services	Technical information	Price list	Accessories	Offers & finance	Service & warranties
----------	----------	---------------	--------------------	---------------------	-------------------	------------------------------	---------------	-----------	--------------------	------------------------	-----------------------	------------	-------------	------------------	----------------------

# Engineered to go™. The Crafter Dropside.



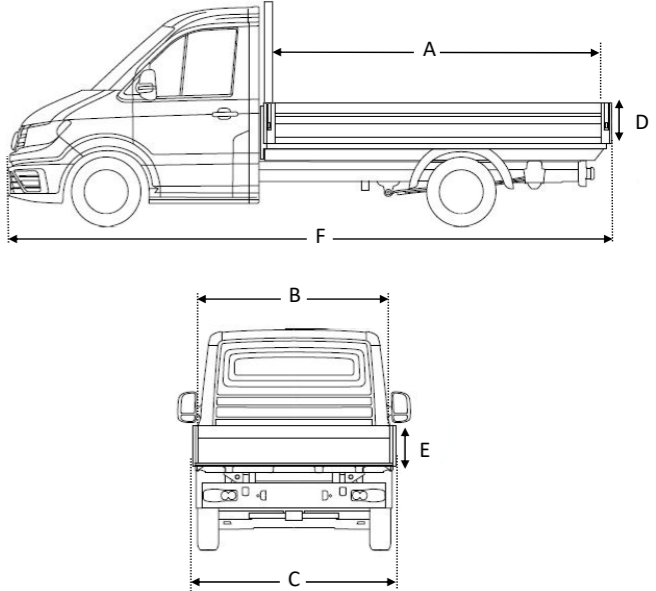
Starting from **£32,335†** [Please click here for more details.](#)

Whatever you're building on site, we believe in building partnerships. Working with conversion specialists Ingimex, we've designed a versatile Dropside that's built for the job and the journey.

- Whole body designed to latest European design standards
- Readily modified for the addition of fall arrest rails, tail lift etc.
- 3-year warranty

### Additional features

- One piece, 15mm thick phenolic resin coated birch non-slip deck
- Recessed, load down lashing rings, tested to 800kg
- Three-level load lashing assembly
- Bolted assembly with a 400kg gantry capacity
- Seamless aluminium boards, perfect for livery
- Boards and lock assemblies, tested to a burst load of 1.7t
- Removable, powder coated rear corner pillars extend above board height to form lateral stops
- Wire rope supports retain tailboard horizontally and prevent rear lamp obstruction



Single cab	MWB	LWB
Front wheel drive	<b>wheelbase</b>	<b>wheelbase</b>
A. Internal length	3,450mm	4,300mm
B. Internal width	2,026mm	2,026mm
C. External width	2,087mm	2,087mm
D. Sideboard height	400mm	400mm
E. Tailboard height	400mm	400mm
F. Overall length	6,218mm	7,068mm

Double cab	LWB
Front wheel drive	<b>wheelbase</b>
A. Internal length	3,501mm
B. Internal width	2,026mm
C. External width	2,087mm
D. Sideboard height	400mm
E. Tailboard height	400mm
F. Overall length	7,068mm

Volkswagen Commercial Vehicles may change RRP's at any time (this includes where there are government changes in regulation and/or legislation). There may be a delay to any RRP displaying correctly on our materials. Always obtain prices from your chosen authorised Van Centre.  
 † Basic RRP excluding VAT.

# Engineered to go™. The Crafter Tipper.



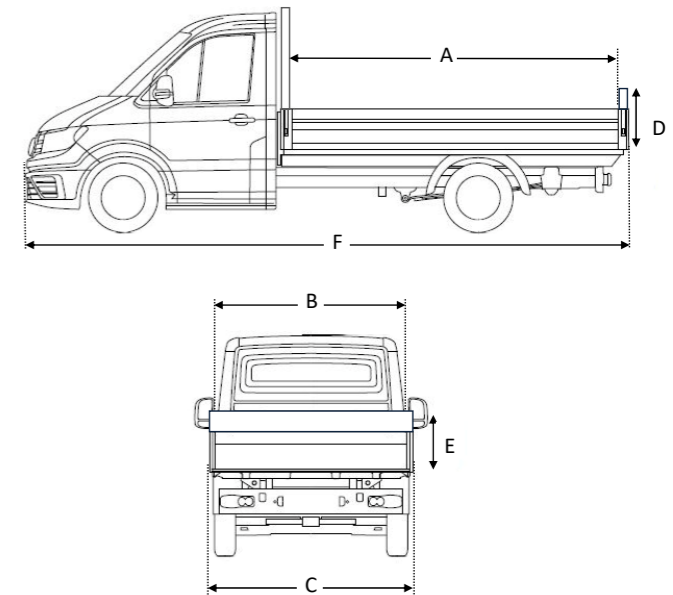
Starting from **£34,175†** [Please click here for more details.](#)

We know you only team up with the best. We do too, so we turned to conversion specialists Ingimex to design our new Crafter Tipper. Tough, safe and versatile, it's as hardworking as you are.

- Whole body designed to latest European design standards
- Tipper control via wander lead
- 3-year warranty

### Additional features

- High strength steel platform with retractable load lashing rings
- Front bulkhead ladder rack with 400kg loading capacity
- Direct acting 5 stage under floor ram
- High visibility manual tail board with tip-over and tip-through function finished in yellow and reflective red markings
- Maintenance free pivot bearings
- 6 internal load lashing points on deck (DIN 75410-1 compliant)



#### Single cab – MWB wheelbase.

Front or Rear wheel drive

A. Internal length	3,350mm
B. Internal width	2,026mm
C. External width	2,087mm
D. Sideboard height	400mm
E. Tailboard height	600mm
F. Overall length	6,215mm

#### Double cab – LWB wheelbase.

Front or Rear wheel drive

A. Internal length	3,350mm
B. Internal width	2,026mm
C. External width	2,087mm
D. Sideboard height	400mm
E. Tailboard height	600mm
F. Overall length	6,925mm

Volkswagen Commercial Vehicles may change RRP's at any time (this includes where there are government changes in regulation and/or legislation). There may be a delay to any RRP displaying correctly on our materials. Always obtain prices from your chosen authorised Van Centre.

† Basic RRP excluding VAT.

# Engineered to go™. The Crafter Luton.



Starting from **£37,130†**

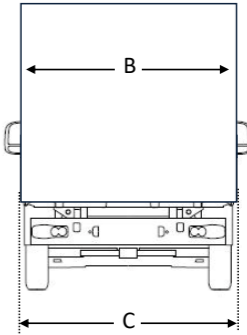
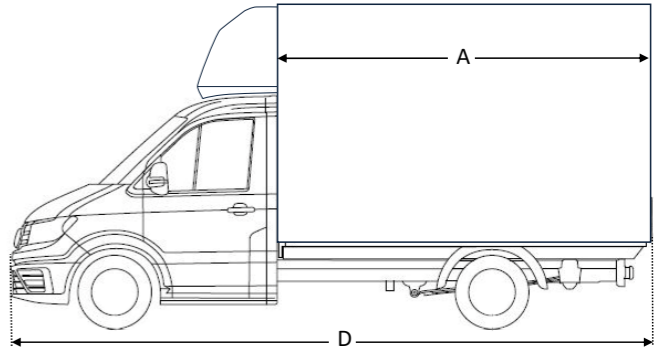
[Please click here for more details.](#)

Whatever you need to move, you need a vehicle you can trust. That's why we partner with conversion specialists Ingimex to bring you a Luton van that's both tough and versatile, built on the multi award winning Volkswagen Crafter.

- Whole body designed to latest European design standards
- Available with optional tail lift
- 3-year warranty

### Additional features

- Light weight sides and bulkhead with no visible fixings, clear for liveried finish
- Bolted rear frame, dip painted and powder coated to resist corrosion
- Unique Ingimex four-tier load restraint system for deck lashing, standard load lock lashing or for use with optional Ingimex telescopic load poles
- High-strength Ingimex shutter with no external cables and smooth finish suitable for livery
- Reinforced bottom plank to protect against movement of unsecured loads
- Rear footstep fitted as standard
- Full height grab handle with integrated, 360° rotating spot lamp
- Includes chassis package (uprated suspension, reinforced stabilizers and heavy front axle) for optimised vehicle handling



### Single cab - LWB wheelbase.

Front wheel drive

A. Internal length	4,119mm
B. Internal width	1,951mm
C. External width	2,100mm
F. Overall length	7,215mm

Volkswagen Commercial Vehicles may change RRP's at any time (this includes where there are government changes in regulation and/or legislation). There may be a delay to any RRP displaying correctly on our materials. Always obtain prices from your chosen authorised Van Centre.

† Basic RRP excluding VAT.



# The Crafter chassis cab. Engineered for you.

The Crafter chassis cab is the perfect basis for heavy bodies thanks to its robust lightweight design.

You can find example bodies here, on the following pages and also at [www.volkswagen-vans.co.uk/conversions](http://www.volkswagen-vans.co.uk/conversions)



Tipper.



Crane tipper.



Dropside



Box van.



Recovery vehicle.



Refrigerated box van.



Lifting platform.



# Upgrade your Crafter chassis cab with the discounted Business Pack.

Now you can drive away in an upgraded Volkswagen Crafter chassis cab for less thanks to the Business Pack. Available on the Crafter Startline chassis cab models, the discounted pack features air conditioning, an alarm and an overhead storage compartment in the cab for as little as £1,305 +VAT. That's a saving of up to £840\* for you and your business. So your Crafter chassis cab can be kitted out with some of our most advanced and practical features without costing you the earth.

FOR ONLY  
**£1,305**  
+ VAT

### Chassis cabs.

- Anti-theft alarm with interior monitoring, backup horn and towing protection
- Climatic air conditioning system
- Overhead storage with two 1-Din slots and reading light

\* Saving against the cost of purchasing individual items.

Volkswagen Commercial Vehicles may change RRP's at any time (this includes where there are government changes in regulation and/or legislation). There may be a delay to any RRP displaying correctly on our materials. Always obtain prices from your chosen authorised Van Centre.

## Chassis cab standard equipment – Startline.



### Chassis cab standard equipment – Startline

- Audio and communications.**
  - Composition Audio radio with USB/iPod connection and Bluetooth®.
- Cab area.**
  - Austin fabric seat covers (Anthracite).
  - Dual passenger seat with storage compartment and folding tray in backrest.
  - Electromechanical Servotronic steering.
  - Rubber floor covering.
  - Steering wheel with reach and rake adjustment.
  - 12V socket.
  - 4-seater bench (double cab) in second row of seats with storage compartment underneath the seat.
- Cargo area.**
  - Full-height steel bulkhead without window.
- Exterior.**
  - Manually adjustable door mirrors.
  - 75 litre fuel tank with lockable cap.
  - Side marker lights.
- Safety and security.**
  - Anti-lock Braking System (ABS).
  - Automatic hazard lights activation under emergency braking.
  - Driver Alert System.
  - Driver's airbag.
  - Electronic Brake Assist (EBA).
  - Electronic Stabilisation Programme (ESP), load adjusting.
  - Engine immobiliser.
  - Front Assist with City Emergency Braking System.
  - Halogen main headlights with range control and daytime running function.
  - Parking brake with hill hold control.
  - Remote central locking with 2 remote keys.
  - Seatbelt warning light for driver.
  - Three-point inertia-reel seatbelts for all seats.
  - Windscreen wiper with variable intermittent delay and wash-wipe system.
- Wheels and tyres.**
  - 16" x 6.5J steel wheels.
  - 205/75 R16 C113/111 low rolling resistance.
  - Full size steel spare wheel.
  - Tool kit and jack.

### Chassis cab standard equipment – Startline CR50 5.0T GVW models

- Exterior.**
  - Double rear wheels.
  - Rear wheel drive.
- Safety and security.**
  - Smart digital tachograph.
  - Mandatory speed limiter - 56mph.

Illustration includes options at extra charge. Please contact your local Volkswagen Commercial Vehicles Van Centre for details of the standard equipment and optional extras available.

## Upgrade your Crafter Startline chassis cab with a Business Pack and save £840.\*

- Anti-theft alarm with interior monitoring, back-up horn and towing protection
- Climatic air conditioning system
- Overhead storage with two 1-Din slots and reading light

FOR ONLY

**£1,305**

+ VAT

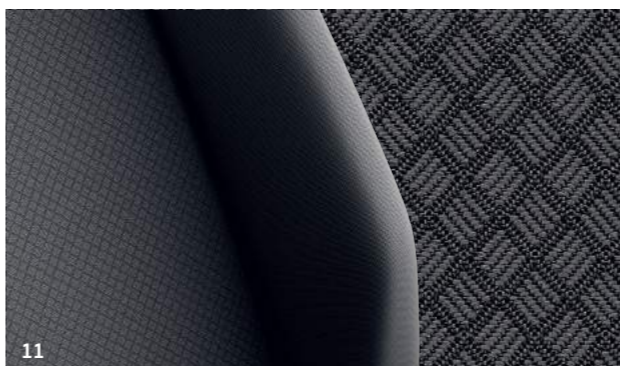
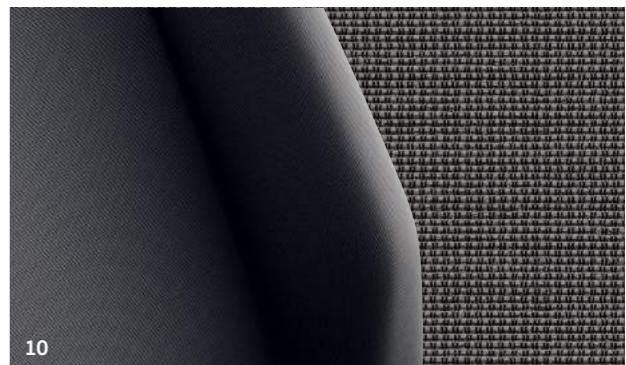
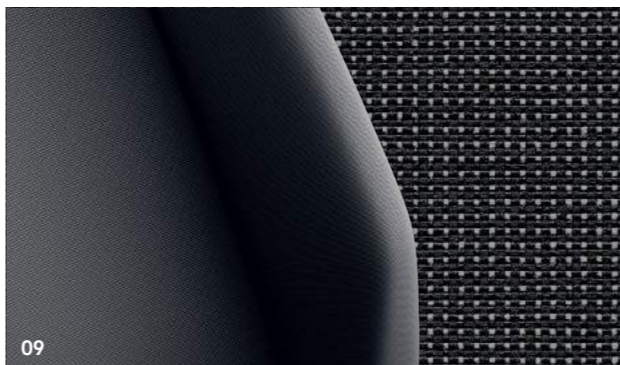
[Find out more](#)

Volkswagen Commercial Vehicles may change RRP's at any time (this includes where there are government changes in regulation and/or legislation). There may be a delay to any RRP displaying correctly on our materials. Always obtain prices from your chosen authorised Van Centre.

# Paint & upholstery.



- 01 Candy White. Solid paint finish.
- 02 Cherry Red. Solid paint finish.
- 03 Bright Orange. Solid paint finish.
- 04 Ontario Green. Solid paint finish.
- 05 Deep Ocean Blue. Solid paint finish.
- 06 Reflex Silver. Metallic paint finish.
- 07 Indium Grey. Metallic paint finish.
- 08 Deep Black. Pearl Effect paint finish.



- 09 'Austin' upholstery  
Titanium Black
- 10 'Memphis' cloth upholstery  
Titanium Black
- 11 Robust 'Marathon' upholstery  
Palladium

Illustrations include options at extra charge. Please contact your local Volkswagen Commercial Vehicles Van Centre for details of the standard equipment and optional extras applicable in your country.

Exterior	Interior	Drive systems	Assistance systems	Crafter chassis cab	Engineered to go™	Crafter Bodies & Conversions	Business Pack	Equipment	Paint & upholstery	Mobile online services	Technical information	Price list	Accessories	Offers & finance	Service & warranties
----------	----------	---------------	--------------------	---------------------	-------------------	------------------------------	---------------	-----------	--------------------	------------------------	-----------------------	------------	-------------	------------------	----------------------











# Perfectly connected. With the Car-Net mobile online services.



The future of mobility is now the present – and available upon request in your Volkswagen commercial vehicle. The mobile online services enable you to enhance the Crafter chassis cab, transforming it into an Internet-based information centre. Car-Net 'App-Connect' enables you to conveniently use and control content on your smartphone even while driving. Using Car-Net 'Guide & Inform', you expand the optional Discover Media navigation system to include numerous additional on-board information services. More information is available at [www.volkswagen-vans.co.uk/about-us/technology/car-net](http://www.volkswagen-vans.co.uk/about-us/technology/car-net)

### Car-Net 'Security & Service'.<sup>1</sup>

In the future, the Crafter chassis cab will be available with Volkswagen Car-Net 'Security & Service'.<sup>1</sup> From parking locations to vehicle health reports, Car-Net 'Security & Service' makes the day-to-day usage of the Crafter chassis cab safer, easier, more practical and economical thanks to features such as:


- 
**Vehicle Status**  
 The customer can access many vehicle information, e.g. mileage, maintenance information, remaining range and tank capacity.
- 
**Vehicle Health Report**  
 The vehicle sends information about the vehicle health (e.g. warnings, service requirements from the instrument cluster) regularly or on request to the Volkswagen Server. The current Vehicle Health Report can be accessed through the web portal.
- 
**Area Alert**  
 By using the web portal or the app the vehicle owner can create up to ten areas that the vehicle is not allowed to leave or enter in a certain time period. If the rule is ignored, a notification will be sent to the vehicle owner.
- 
**Speed Alert**  
 The vehicle owner can set up a speed limit for his vehicle (once or permanently). If the vehicle exceeds the speed limit, a notification will be sent to the vehicle owner.
- 
**Online Anti-Theft-Alarm**  
 Enhancement of the anti-theft alarm signalling through instant notifications via mail or push to the smartphone.
- 
**Service Scheduling**  
 The vehicle reports service requirements to the VW server. The vehicle owner can choose a preferred service partner who can access the data and contact him proactively.
- 
**Driving Data**  
 The vehicle owner can view his current driving data (e.g. average fuel consumption, driving distance, etc.) through the customer web portal or his app.
- 
**Horn & Turn Signals**  
 The owner can remote control the hazard warning lights and the horn of his vehicle. The current status of the honking and flashing is displayed in the app.
- 
**Doors & Light**  
 The vehicle owner can check the locking status of the vehicle's doors and parking lights.
- 
**Parking Position**  
 At the end of a trip the vehicle sends the exact parking position to the VW server. In order to find the parked vehicle the location can be accessed through the customer web portal or the smartphone app.





<sup>1</sup> Will be introduced at a later date.

### Car-Net 'App-Connect'.<sup>2</sup>

Experience infotainment on the road and integrate your smartphone or tablet into your vehicle with Car-Net 'App-Connect' via a USB port. Car-Net 'App-Connect' mirrors compatible apps from your smartphone on the optional radio or navigation system's touchscreen display. Using 'Android Auto', Apple 'CarPlay' or 'MirrorLink™', you can comfortably control certain apps via the touchscreen display while driving.



You can use the following Volkswagen apps via 'MirrorLink'™ while driving: 'Drive & Track', 'Shared Audio', 'Call & Remind' and 'My Guide'. More information is available at [www.volkswagen-vans.co.uk/about-us/technology/car-net](http://www.volkswagen-vans.co.uk/about-us/technology/car-net)

### Car-Net 'Guide & Inform'.<sup>3</sup>

If your vehicle is fitted with an optional navigation system, you can activate the online-based Car-Net 'Guide & Inform' services. 'Guide & Inform' is available free of charge for the first three years after registration. You can utilise two types of services: services that support you directly in the vehicle and services you configure from home – either via the customer portal or via the Car-Net app. To use 'Guide & Inform' in the vehicle, simply generate a hotspot with your smartphone or use the optional Volkswagen CarStick.

#### Well informed in your vehicle.

'Guide & Inform' keeps the driver up to date: with online-based traffic information, fuel station prices, free parking spaces nearby and a Google POI search in the navigation system.

Online Traffic Information	Fuel Info	Parking Info <sup>4</sup>
Online Traffic Information	News	Weather

#### Well organised from home.

Using the customer portal, you can set-up online routes, destinations and POIs and then import them into the navigation system. The Car-Net app also synchronises calendar entries and driving destinations.

Online Route Import	Online Destination Import	My POIs
Vehicle Health Report	Time Manager	


### Volkswagen CarStick.<sup>1</sup>

The CarStick conveniently connects the vehicle with the Internet. It uses a data SIM card (not included in the scope of delivery) to establish a UMTS connection. This allows you to utilise the Car-Net 'Guide & Inform' services independently of your smartphone's hotspot and also create a hotspot in your vehicle for other mobile devices.



### FMS 3.0 Telematics

- Telematics capability allows the analysis of vehicle data including speed, location, mileage, economy and service status.
- Crafter's optional telematics preparation is designed to work seamlessly with the industry standard FMS 3.0. Included is the FMS compatible plug with power supply, which connects the telematics device to the vehicle.
- Easy adaptation to existing systems increases flexibility and allows the use of the customer's preferred telematics provider.



### Registration - A few simple steps:

- Create your personal account at [www.volkswagen-car-net.com/portal/en\\_GB/web/gb/login](http://www.volkswagen-car-net.com/portal/en_GB/web/gb/login)
- Enter your vehicle identification number (VIN).
- You receive an 8 digit registration code.
- Use your smartphone to create a mobile hotspot or use the Volkswagen CarStick.
- Enter the registration code into the navigation system.

1 Will be introduced at a later date. 2 Car-Net 'App-Connect' is only available in conjunction with the Composition Media radio system or the Discover Media and Discover Media plus navigation systems. Car-Net 'App-Connect' comprises MirrorLink™, CarPlay™ and Android Auto™. The availability of these technologies may vary depending on the country in question. Please note that Car-Net 'App-Connect' is not currently supported by every mobile telephone on the market. Volkswagen is working closely with major smartphone producers to promote broader compatibility for Car-Net 'App-Connect'. 3 The use of Car-Net 'Guide & Inform' mobile online services is only possible with the Discover Media and Discover Media plus optional extras. You will also require a mobile device (e.g. smartphone) that is capable of acting as a mobile wireless hotspot, or a Volkswagen UMTS CarStick with a SIM card from any mobile network provider, which must be paid for separately. The Guide & Inform services are only available with an existing mobile network contract or one to be concluded separately for this purpose between you and your mobile phone network provider, and only within the respective mobile phone network coverage. Depending on your mobile phone tariff, receiving data from the Internet may incur additional charges, particularly if you are using the phone abroad (e.g. roaming charges). Due to the amount of data needed when using Car-Net services, we strongly recommend signing up to a flat rate data plan with your mobile phone provider. Use of Car-Net is governed in a separate agreement concluded online with Volkswagen AG. After receiving possession of the vehicle, the customer has 90 days in which to register the vehicle at [www.volkswagen-car-net.com/portal/en\\_GB/web/gb/login](http://www.volkswagen-car-net.com/portal/en_GB/web/gb/login). Availability of Car-Net Services may vary depending on the country in question. These services are available for the duration of the contract term agreed, and may be subject to changes in terms of content during the contract period. More detailed information on Car-Net is available at [www.volkswagen-vans.co.uk/about-us/technology/car-net](http://www.volkswagen-vans.co.uk/about-us/technology/car-net) and from your Volkswagen Partner; contact your mobile network provider for information on your mobile network tariff conditions. 4 Available for car parks with suitable technical infrastructure. There is currently no information available regarding entry heights for the car parks in question. Illustration includes options at extra charge. Please contact your local Volkswagen Commercial Vehicles Van Centre for details of the standard equipment and optional extras available.

## Engine & gearbox data.

Engine specifications.	2.0 TDI 102PS	2.0 TDI 122PS	2.0 TDI 140PS	2.0 TDI 177PS
Mixture preparation/injection method	Common-rail/exhaust-gas turbocharger	Common-rail/exhaust-gas turbocharger	Common-rail/exhaust-gas turbocharger	Common-rail/exhaust-gas turbocharger
EU exhaust emission standard	EURO 6	EURO 6	EURO 6	EURO 6
Number of cylinders	4	4	4	4
Cubic capacity	1,968cc	1,968cc	1,968cc	1,968cc
Output, PS at rpm	102 at 3,000-3,500	122 at 3,500	140 at 3,500-3,600	177 at 3,600
Torque, max. Nm at rpm	300 at 1,400-2,250	300 at 1,400-2,250	340 at 1,600-2,250	410 at 1,500-2,000
Fuel tank capacity	75 litres	75 litres	75 litres	75 litres
AdBlue® tank capacity	18 litres	18 litres	18 litres	18 litres
Diesel Particulate Filter [DPF]	●	●	●	●
6-speed manual gearbox	●	●	●	●
8-speed automatic gearbox	-	-	○	○
Front-wheel drive	●	-	●	●
Rear-wheel drive	-	●	○	○
4MOTION all-wheel drive	-	-	○	○
Alternator <sup>1</sup>	140A or 180A	140A or 180A	140A or 180A	140A or 180A
Battery <sup>2</sup>	92Ah or 95Ah	92Ah or 95Ah	92Ah or 95Ah	92Ah or 95Ah

● Standard ○ Available - Not available.

<sup>1</sup> Alternator rating depends on trimline and additional optional equipment fitted. <sup>2</sup> Battery rating depends on additional optional equipment fitted.

## Chassis cabs fuel consumption, performance and emissions.

		Urban mpg (ltr/100km) <sup>1</sup>	Extra-Urban mpg (ltr/100km) <sup>1</sup>	Combined mpg (ltr/100km) <sup>1</sup>	Top speed, mph (where law permits)	CO <sub>2</sub> emissions, g/km <sup>1</sup>
<b>Single cab – Startline medium wheelbase.</b>						
CR35	2.0TDI 102PS FWD 6-speed manual	35.8 (7.9)	40.9 (6.9)	39.2 (7.2)	83	189
	2.0TDI 140PS FWD 6-speed manual	35.8 (7.9)	40.9 (6.9)	39.2 (7.2)	93	189
	2.0TDI 140PS FWD 8-speed automatic	37.2 (7.6)	40.9 (6.9)	39.2 (7.2)	91	187
	2.0TDI 140PS RWD 6-speed manual	33.6 (8.4)	42.2 (6.7)	38.7 (7.3)	92	191
	2.0TDI 140PS 4MOTION 6-speed manual	30.4 (9.3)	36.2 (7.8)	34.0 (8.3)	91	218
	2.0TDI 177PS FWD 6-speed manual	32.8 (8.6)	41.5 (6.8)	37.7 (7.5)	100	195
	2.0TDI 177PS FWD 8-speed automatic	36.2 (7.8)	39.8 (7.1)	38.2 (7.4)	98	193
	2.0TDI 177PS RWD 6-speed manual	32.1 (8.8)	41.5 (6.8)	37.7 (7.5)	103	196
	2.0TDI 177PS 4MOTION 6-speed manual	28.5 (9.9)	36.2 (7.8)	32.8 (8.6)	98	224
	2.0TDI 177PS 4MOTION 8-speed automatic	30.4 (9.3)	34.0 (8.3)	32.8 (8.6)	97	222
CR50	2.0TDI 122PS RWD 6-speed manual	26.2 (10.8)	37.7 (7.5)	32.5 (8.7)	56	228
	2.0TDI 177PS RWD 6-speed manual	25.2 (11.2)	38.7 (7.3)	32.5 (8.7)	56	228
	2.0TDI 177PS RWD 8-speed automatic	30.7 (9.2)	35.8 (7.9)	33.6 (8.4)	56	219
<b>Single cab – Startline long wheelbase.</b>						
CR35	2.0TDI 102PS FWD 6-speed manual	35.8 (7.9)	40.9 (6.9)	39.2 (7.2)	83	189
	2.0TDI 140PS FWD 6-speed manual	35.8 (7.9)	40.9 (6.9)	39.2 (7.2)	93	189
	2.0TDI 140PS FWD 8-speed automatic	37.2 (7.6)	40.9 (6.9)	39.2 (7.2)	91	187
	2.0TDI 140PS RWD 6-speed manual	33.6 (8.4)	42.2 (6.7)	38.7 (7.3)	91	191
	2.0TDI 140PS 4MOTION 6-speed manual	30.1 (9.4)	35.3 (8.0)	33.2 (8.5)	91	222
	2.0TDI 177PS FWD 6-speed manual	32.8 (8.6)	41.5 (6.8)	37.7 (7.5)	100	195
	2.0TDI 177PS FWD 8-speed automatic	36.2 (7.8)	39.8 (7.1)	38.2 (7.4)	98	193
	2.0TDI 177PS RWD 6-speed manual	32.1 (8.8)	41.5 (6.8)	37.7 (7.5)	103	196
	2.0TDI 177PS 4MOTION 6-speed manual	28.5 (9.9)	36.2 (7.8)	32.8 (8.6)	98	224
	2.0TDI 177PS 4MOTION 8-speed automatic	30.7 (9.2)	34.9 (8.1)	33.2 (8.5)	97	222

<sup>1</sup> Fuel consumption and CO<sub>2</sub> figures are obtained under standardised EU test conditions. This allows a direct comparison between different manufacturer models but may not represent the actual fuel consumption achieved in 'real world' driving conditions. In addition to the fuel efficiency of a vehicle, driving behaviour as well as other non-technical factors (such as environmental conditions, including weather and traffic) play a role in determining a vehicle's fuel consumption and CO<sub>2</sub> emissions. More information is available at [www.dft.gov.uk/vca](http://www.dft.gov.uk/vca). Other factors including Gross Vehicle Weight, trimline, extra equipment, options and accessories (wheels, tyres, etc.) may change vehicle parameters such as the weight, rolling resistance of the tyres and the aerodynamics and thus influence the fuel consumption, CO<sub>2</sub> emissions and driving performance values.



## Chassis cabs fuel consumption, performance and emissions (continued).

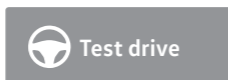
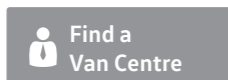
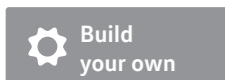
		Urban mpg (ltr/100km) <sup>1</sup>	Extra-Urban mpg (ltr/100km) <sup>1</sup>	Combined mpg (ltr/100km) <sup>1</sup>	Top speed, mph (where law permits)	CO <sub>2</sub> emissions, g/km <sup>1</sup>
<b>Single cab – Startline long wheelbase.</b>						
CR50	2.0TDI 122PS RWD 6-speed manual	26.2 (10.8)	37.7 (7.5)	32.5 (8.7)	56	228
	2.0TDI 177PS RWD 6-speed manual	25.2 (11.2)	38.7 (7.3)	32.5 (8.7)	56	228
	2.0TDI 177PS RWD 8-speed automatic	30.7 (9.2)	35.8 (7.9)	33.6 (8.4)	56	219
<b>Single cab – Startline long wheelbase maxi.</b>						
CR50	2.0TDI 122PS RWD 6-speed manual	26.2 (10.8)	37.7 (7.5)	32.5 (8.7)	56	228
	2.0TDI 177PS RWD 6-speed manual	25.2 (11.2)	38.7 (7.3)	32.5 (8.7)	56	228
	2.0TDI 177PS RWD 8-speed automatic	30.7 (9.2)	35.8 (7.9)	33.6 (8.4)	56	219
<b>Double cab – Startline medium wheelbase.</b>						
CR35	2.0TDI 102PS FWD 6-speed manual	35.8 (7.9)	40.9 (6.9)	39.2 (7.2)	83	189
	2.0TDI 140PS FWD 6-speed manual	35.8 (7.9)	40.9 (6.9)	39.2 (7.2)	91	189
	2.0TDI 140PS FWD 8-speed automatic	36.7 (7.7)	40.4 (7.0)	38.7 (7.3)	100	190
	2.0TDI 140PS RWD 6-speed manual	33.2 (8.5)	40.9 (6.9)	38.2 (7.4)	92	194
	2.0TDI 140PS 4MOTION 6-speed manual	30.1 (9.4)	34.9 (8.1)	32.8 (8.6)	98	225
	2.0TDI 177PS FWD 6-speed manual	32.5 (8.7)	40.9 (6.9)	37.2 (7.6)	100	198
	2.0TDI 177PS FWD 8-speed automatic	35.8 (7.9)	39.2 (7.2)	37.7 (7.5)	98	196
	2.0TDI 177PS RWD 6-speed manual	31.7 (8.9)	40.9 (6.9)	36.7 (7.7)	103	200
	2.0TDI 177PS 4MOTION 6-speed manual	28.5 (9.9)	35.3 (8.0)	32.5 (8.7)	98	228
	2.0TDI 177PS 4MOTION 8-speed automatic	30.4 (9.3)	34.0 (8.3)	32.8 (8.6)	95	226
CR50	2.0TDI 122PS RWD 6-speed manual	26.2 (10.8)	37.7 (7.5)	32.5 (8.7)	56	228
	2.0TDI 177PS RWD 6-speed manual	25.2 (11.2)	38.7 (7.3)	32.5 (8.7)	56	228
	2.0TDI 177PS RWD 8-speed automatic	30.7 (9.2)	35.8 (7.9)	33.6 (8.4)	56	219

1 Fuel consumption and CO<sub>2</sub> figures are obtained under standardised EU test conditions. This allows a direct comparison between different manufacturer models but may not represent the actual fuel consumption achieved in 'real world' driving conditions. In addition to the fuel efficiency of a vehicle, driving behaviour as well as other non-technical factors (such as environmental conditions, including weather and traffic) play a role in determining a vehicle's fuel consumption and CO<sub>2</sub> emissions. More information is available at [www.dft.gov.uk/vca](http://www.dft.gov.uk/vca). Other factors including Gross Vehicle Weight, trimline, extra equipment, options and accessories (wheels, tyres, etc.) may change vehicle parameters such as the weight, rolling resistance of the tyres and the aerodynamics and thus influence the fuel consumption, CO<sub>2</sub> emissions and driving performance values.

## Chassis cabs fuel consumption, performance and emissions (continued).

		Urban mpg (ltr/100km) <sup>1</sup>	Extra-Urban mpg (ltr/100km) <sup>1</sup>	Combined mpg (ltr/100km) <sup>1</sup>	Top speed, mph (where law permits)	CO <sub>2</sub> emissions, g/km <sup>1</sup>
<b>Double cab – Startline long wheelbase.</b>						
CR35	2.0TDI 102PS FWD 6-speed manual	35.3 (8.0)	40.4 (7.0)	38.2 (7.4)	83	192
	2.0TDI 140PS FWD 6-speed manual	35.3 (8.0)	40.4 (7.0)	38.2 (7.4)	93	192
	2.0TDI 140PS FWD 8-speed automatic	36.7 (7.7)	40.4 (7.0)	38.7 (7.3)	91	190
	2.0TDI 140PS RWD 6-speed manual	33.2 (8.5)	40.4 (7.0)	37.7 (7.5)	92	197
	2.0TDI 140PS 4MOTION 6-speed manual	30.1 (9.4)	34.9 (8.1)	32.8 (8.6)	93	225
	2.0TDI 177PS FWD 6-speed manual	32.5 (8.7)	40.9 (6.9)	37.2 (7.6)	100	198
	2.0TDI 177PS FWD 8-speed automatic	35.8 (7.9)	39.2 (7.2)	37.7 (7.5)	98	196
	2.0TDI 177PS RWD 6-speed manual	31.0 (9.1)	39.8 (7.1)	36.2 (7.8)	103	205
	2.0TDI 177PS 4MOTION 6-speed manual	28.5 (9.9)	35.3 (8.0)	32.5 (8.7)	100	228
	2.0TDI 177PS 4MOTION 8-speed automatic	29.7 (9.5)	33.6 (8.4)	32.1 (8.8)	97	230
CR50	2.0TDI 122PS RWD 6-speed manual	26.2 (10.8)	37.7 (7.5)	32.5 (8.7)	56	228
	2.0TDI 177PS RWD 6-speed manual	25.2 (11.2)	38.7 (7.3)	32.5 (8.7)	56	228
	2.0TDI 177PS RWD 8-speed automatic	30.7 (9.2)	35.8 (7.9)	33.6 (8.4)	56	219

<sup>1</sup> Fuel consumption and CO<sub>2</sub> figures are obtained under standardised EU test conditions. This allows a direct comparison between different manufacturer models but may not represent the actual fuel consumption achieved in 'real world' driving conditions. In addition to the fuel efficiency of a vehicle, driving behaviour as well as other non-technical factors (such as environmental conditions, including weather and traffic) play a role in determining a vehicle's fuel consumption and CO<sub>2</sub> emissions. More information is available at [www.dft.gov.uk/vca](http://www.dft.gov.uk/vca). Other factors including Gross Vehicle Weight, trimline, extra equipment, options and accessories (wheels, tyres, etc.) may change vehicle parameters such as the weight, rolling resistance of the tyres and the aerodynamics and thus influence the fuel consumption, CO<sub>2</sub> emissions and driving performance values.



## Engineered to go™ – fuel consumption, performance and emissions.

Dropside		Urban mpg (ltr/100km) <sup>1</sup>	Extra-Urban mpg (ltr/100km) <sup>1</sup>	Combined mpg (ltr/100km) <sup>1</sup>	CO <sub>2</sub> emissions, g/km <sup>1</sup>
<b>Single cab – Startline medium wheelbase.</b>					
CR35	2.0TDI 140PS FWD 6-speed manual	34.4 (8.2)	39.2 (7.2)	37.2 (7.6)	198
	2.0TDI 140PS FWD 8-speed automatic	35.3 (8.0)	39.2 (7.2)	35.3 (8.0)	196
<b>Single cab – Startline long wheelbase.</b>					
CR35	2.0TDI 140PS FWD 6-speed manual	34.4 (8.2)	39.2 (7.2)	37.2 (7.6)	198
	2.0TDI 140PS FWD 8-speed automatic	34.9 (8.1)	38.2 (7.4)	36.7 (7.7)	200
<b>Double cab – Startline long wheelbase.</b>					
CR35	2.0TDI 140PS FWD 6-speed manual	34.0 (8.3)	38.2 (7.4)	36.7 (7.7)	201
	2.0TDI 140PS FWD 8-speed automatic	34.9 (8.1)	38.2 (7.4)	36.7 (7.7)	200
Tipper		Urban mpg (ltr/100km) <sup>1</sup>	Extra-Urban mpg (ltr/100km) <sup>1</sup>	Combined mpg (ltr/100km) <sup>1</sup>	CO <sub>2</sub> emissions, g/km <sup>1</sup>
<b>Single cab – Startline medium wheelbase.</b>					
CR35	2.0TDI 140PS FWD 6-speed manual	35.8 (7.9)	40.9 (6.9)	39.2 (7.2)	189
	2.0TDI 140PS FWD 8-speed automatic	37.2 (7.6)	40.9 (6.9)	39.2 (7.2)	187
	2.0TDI 140PS RWD 6-speed manual	33.2 (8.5)	40.9 (6.9)	38.2 (7.4)	194
<b>Double cab – Startline long wheelbase.</b>					
CR35	2.0TDI 140PS FWD 6-speed manual	35.3 (8.0)	40.4 (7.0)	38.2 (7.4)	192
	2.0TDI 140PS FWD 8-speed automatic	35.8 (7.9)	39.8 (7.1)	38.2 (7.4)	193
	2.0TDI 140PS RWD 6-speed manual	33.2 (8.5)	40.4 (7.0)	37.7 (7.5)	197
Luton		Urban mpg (ltr/100km) <sup>1</sup>	Extra-Urban mpg (ltr/100km) <sup>1</sup>	Combined mpg (ltr/100km) <sup>1</sup>	CO <sub>2</sub> emissions, g/km <sup>1</sup>
<b>Single cab – Startline long wheelbase.</b>					
CR35	2.0TDI 140PS FWD 6-speed manual	35.8 (7.9)	40.9 (6.9)	39.2 (7.2)	189
	2.0TDI 140PS FWD 8-speed automatic	36.7 (7.7)	40.4 (7.0)	38.7 (7.3)	190

<sup>1</sup> Fuel consumption and CO<sub>2</sub> figures are obtained under standardised EU test conditions. This allows a direct comparison between different manufacturer models but may not represent the actual fuel consumption achieved in 'real world' driving conditions. In addition to the fuel efficiency of a vehicle, driving behaviour as well as other non-technical factors (such as environmental conditions, including weather and traffic) play a role in determining a vehicle's fuel consumption and CO<sub>2</sub> emissions. More information is available at [www.dft.gov.uk/vca](http://www.dft.gov.uk/vca). Other factors including Gross Vehicle Weight, trimline, extra equipment, options and accessories (wheels, tyres, etc.) may change vehicle parameters such as the weight, rolling resistance of the tyres and the aerodynamics and thus influence the fuel consumption, CO<sub>2</sub> emissions and driving performance values. Please note: figures shown are for a bare chassis cab. The addition of a body may influence the fuel consumption, CO<sub>2</sub> emissions and driving performance values.

## Working with you.

The Crafter chassis cab offers professional transport solutions for all: we promise to work with you to tailor your new Crafter chassis cab and optimise the payload for your individual business requirements. Simply call your local Van Centre directly to discuss your needs.

## Chassis cab weights.

		Gross vehicle weight, kg	Axle load limit, front/rear, kg	Trailer weight braked 12%/unbraked, kg	Gross train weight, kg	Unladen weight <sup>1</sup> , kg	Payload <sup>2</sup> , kg
<b>Single cab – Startline medium wheelbase.</b>							
CR35	2.0TDI 102PS FWD 6-speed manual	3,500	1,800 / 2,100	2,500 / 750	5,500	1,824 - 1,904	1,596 - 1,676
	2.0TDI 140PS FWD 6-speed manual	3,500	1,800 / 2,100	3,000 / 750	6,000	1,829 - 1,909	1,591 - 1,671
	2.0TDI 140PS FWD 8-speed automatic	3,500	1,800 / 2,100	3,000 / 750	6,000	1,861 - 1,941	1,559 - 1,639
	2.0TDI 140PS RWD 6-speed manual	3,500	1,800 / 2,250	3,000 / 750	6,000	1,998	1,502
	2.0TDI 140PS 4MOTION 6-speed manual	3,500	1,800 / 2,100	3,000 / 750	6,000	1,956 - 2,036	1,464 - 1,544
	2.0TDI 177PS FWD 6-speed manual	3,500	1,800 / 2,100	3,000 / 750	6,000	1,838 - 1,918	1,582 - 1,662
	2.0TDI 177PS FWD 8-speed automatic	3,500	1,800 / 2,100	3,000 / 750	6,000	1,870 - 1,950	1,550 - 1,630
	2.0TDI 177PS RWD 6-speed manual	3,500	1,800 / 2,250	3,500 / 750	6,500	1,928 - 2,008	1,492 - 1,572
	2.0TDI 177PS 4MOTION 6-speed manual	3,500	1,800 / 2,100	3,000 / 750	6,000	1,965 - 2,045	1,455 - 1,535
	2.0TDI 177PS 4MOTION 8-speed automatic	3,500	1,800 / 2,100	3,000 / 750	6,000	2,077	1,423
CR50	2.0TDI 122PS RWD 6-speed manual	5,000	2,200 / 3,500	3,000 / 750	7,500	2,147	2,853
	2.0TDI 177PS RWD 6-speed manual	5,000	2,200 / 3,500	3,500 / 750	8,000	2,156	2,844
	2.0TDI 177PS RWD 8-speed automatic	5,000	2,200 / 3,500	3,000 / 750	7,500	2,197	2,803

1 Unladen weight includes approximately 90% fuel load and 75kg for driver.

2 Payload = gross vehicle weight minus unladen weight. Quoted weights are for vehicles with standard specification. Unladen weight and payload may be influenced by trimline, factory options and Van Centre fitted accessories. The minimum payload range includes base specification vehicle. The maximum payload range includes the removal of standard features. Please contact your local Volkswagen Van Centre for more details.

## Chassis cab weights (continued).

		Gross vehicle weight, kg	Axle load limit, front/rear, kg	Trailer weight braked 12%/unbraked, kg	Gross train weight, kg	Unladen weight <sup>1</sup> , kg	Payload <sup>2</sup> , kg
<b>Single cab – Startline long wheelbase.</b>							
CR35	2.0TDI 102PS FWD 6-speed manual	3,500	1,800 / 2,100	2,500 / 750	5,500	1,854 - 1,934	1,566 - 1,646
	2.0TDI 140PS FWD 6-speed manual	3,500	1,800 / 2,100	3,000 / 750	6,000	1,859 - 1,939	1,561 - 1,641
	2.0TDI 140PS FWD 8-speed automatic	3,500	1,800 / 2,100	3,000 / 750	6,000	1,891 - 1,971	1,529 - 1,609
	2.0TDI 140PS RWD 6-speed manual	3,500	1,800 / 2,250	3,000 / 750	6,000	2,030	1,470
	2.0TDI 140PS 4MOTION 6-speed manual	3,500	1,800 / 2,250	3,000 / 750	6,000	1,986 - 2,066	1,434 - 1,514
	2.0TDI 177PS FWD 6-speed manual	3,500	1,800 / 2,100	3,000 / 750	6,000	1,868 - 1,948	1,552 - 1,632
	2.0TDI 177PS FWD 8-speed automatic	3,500	1,800 / 2,100	3,000 / 750	6,000	1,900 - 1,980	1,520 - 1,600
	2.0TDI 177PS RWD 6-speed manual	3,500	1,800 / 2,250	3,500 / 750	7,000	1,968 - 2,048	1,452 - 1,532
	2.0TDI 177PS 4MOTION 6-speed manual	3,500	1,800 / 2,100	3,000 / 750	6,000	1,995 - 2,075	1,425 - 1,505
2.0TDI 177PS 4MOTION 8-speed automatic	3,500	1,800 / 2,100	3,000 / 750	6,000	2,107	1,393	
CR50	2.0TDI 122PS RWD 6-speed manual	5,000	2,200 / 3,500	3,500 / 750	7,500	2,190	2,810
	2.0TDI 177PS RWD 6-speed manual	5,000	2,200 / 3,500	3,500 / 750	8,000	2,199	2,801
	2.0TDI 177PS RWD 8-speed automatic	5,000	2,200 / 3,500	3,500 / 750	7,500	2,240	2,760
<b>Double cab – Startline medium wheelbase.</b>							
CR35	2.0TDI 102PS FWD 6-speed manual	3,500	1,800 / 2,100	2,500 / 750	5,500	1,998 - 2,078	1,422 - 1,502
	2.0TDI 140PS FWD 6-speed manual	3,500	1,800 / 2,100	3,000 / 750	6,000	2,004 - 2,084	1,416 - 1,496
	2.0TDI 140PS FWD 8-speed automatic	3,500	1,800 / 2,100	3,000 / 750	6,000	2,036 - 2,116	1,384 - 1,464
	2.0TDI 140PS RWD 6-speed manual	3,500	1,800 / 2,250	3,000 / 750	6,500	2,172	1,328
	2.0TDI 140PS 4MOTION 6-speed manual	3,500	1,800 / 2,100	3,000 / 750	6,000	2,118 - 2,198	1,302 - 1,382
	2.0TDI 177PS FWD 6-speed manual	3,500	1,800 / 2,100	3,000 / 750	6,000	2,013 - 2,093	1,407 - 1,487
	2.0TDI 177PS FWD 8-speed automatic	3,500	1,800 / 2,100	3,000 / 750	6,000	2,045 - 2,125	1,375 - 1,455
	2.0TDI 177PS RWD 6-speed manual	3,500	1,800 / 2,250	3,500 / 750	7,000	2,102 - 2,182	1,318 - 1,398
	2.0TDI 177PS 4MOTION 6-speed manual	3,500	1,800 / 2,100	3,000 / 750	6,000	2,127 - 2,207	1,293 - 1,373
2.0TDI 177PS 4MOTION 8-speed automatic	3,500	1,800 / 2,100	3,000 / 750	6,000	2,239	1,261	
CR50	2.0TDI 122PS RWD 6-speed manual	5,000	2,200 / 3,500	3,000 / 750	7,500	2,297	2,703
	2.0TDI 177PS RWD 6-speed manual	5,000	2,200 / 3,500	3,500 / 750	8,000	2,306	2,694
	2.0TDI 177PS RWD 8-speed automatic	5,000	2,200 / 3,500	3,500 / 750	7,500	2,347	2,653

1 Unladen weight includes approximately 90% fuel load and 75kg for driver.

2 Payload = gross vehicle weight minus unladen weight. Quoted weights are for vehicles with standard specification. Unladen weight and payload may be influenced by trimline, factory options and Van Centre fitted accessories. The minimum payload range includes base specification vehicle. The maximum payload range includes the removal of standard features. Please contact your local Volkswagen Van Centre for more details.

## Chassis cab weights (continued).

		Gross vehicle weight, kg	Axle load limit, front/rear, kg	Trailer weight braked 12%/unbraked, kg	Gross train weight, kg	Unladen weight <sup>1</sup> , kg	Payload <sup>2</sup> , kg
<b>Double cab – Startline long wheelbase.</b>							
CR35	2.0TDI 102PS FWD 6-speed manual	3,500	2,100 / 2,100	2,500 / 750	5,500	2,039 - 2,119	1,381 - 1,461
	2.0TDI 140PS FWD 6-speed manual	3,500	2,100 / 2,100	3,000 / 750	6,000	2,044 - 2,124	1,376 - 1,456
	2.0TDI 140PS FWD 8-speed automatic	3,500	2,100 / 2,100	3,000 / 750	6,000	2,076 - 2,156	1,344 - 1,424
	2.0TDI 140PS RWD 6-speed manual	3,500	2,100 / 2,250	3,000 / 750	6,500	2,223	1,277
	2.0TDI 140PS 4MOTION 6-speed manual	3,500	2,100 / 2,100	3,000 / 750	6,000	2,158 - 2,238	1,262 - 1,342
	2.0TDI 177PS FWD 6-speed manual	3,500	2,100 / 2,100	3,000 / 750	6,000	2,053 - 2,133	1,367 - 1,447
	2.0TDI 177PS FWD 8-speed automatic	3,500	2,100 / 2,100	3,000 / 750	6,000	2,085 - 2,165	1,335 - 1,415
	2.0TDI 177PS RWD 6-speed manual	3,500	2,100 / 2,250	3,500 / 750	7,000	2,153 - 2,233	1,267 - 1,347
	2.0TDI 177PS 4MOTION 6-speed manual	3,500	2,100 / 2,100	3,000 / 750	6,000	2,167 - 2,247	1,253 - 1,333
	2.0TDI 177PS 4MOTION 8-speed automatic	3,500	2,100 / 2,100	3,000 / 750	6,000	2,279	1,221
CR50	2.0TDI 122PS RWD 6-speed manual	5,000	2,200 / 3,500	3,500 / 750	7,500	2,345	2,655
	2.0TDI 177PS RWD 6-speed manual	5,000	2,200 / 3,500	3,500 / 750	8,000	2,345	2,655
	2.0TDI 177PS RWD 8-speed automatic	5,000	2,200 / 3,500	3,500 / 750	7,500	2,395	2,605

1 Unladen weight includes approximately 90% fuel load and 75kg for driver.

2 Payload = gross vehicle weight minus unladen weight. Quoted weights are for vehicles with standard specification. Unladen weight and payload may be influenced by trimline, factory options and Van Centre fitted accessories. The minimum payload range includes base specification vehicle. The maximum payload range includes the removal of standard features. Please contact your local Volkswagen Van Centre for more details.

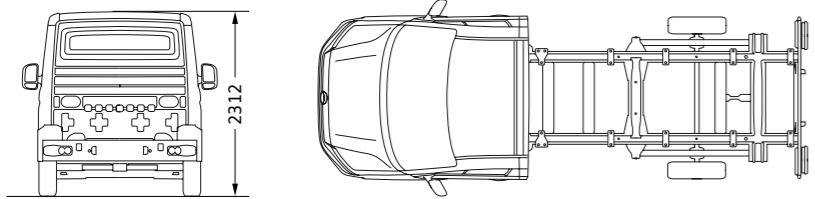
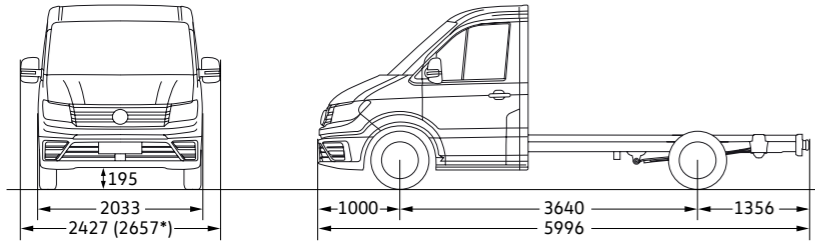
## Engineered to go™ – weights.

Dropside		Gross vehicle weight, kg	Axle load limit, front/rear, kg	Trailer weight braked 12%/unbraked, kg	Gross train weight, kg	Unladen weight <sup>1</sup> , kg	Payload <sup>2</sup> , kg
<b>Single cab – Startline medium wheelbase.</b>							
CR35	2.0TDI 140PS FWD 6-speed manual	3,500	2,100 / 2,100	3,000 / 750	6,000	2,186	1,314
	2.0TDI 140PS FWD 8-speed automatic	3,500	2,100 / 2,100	3,000 / 750	6,000	2,218	1,282
<b>Single cab – Startline long wheelbase.</b>							
CR35	2.0TDI 140PS FWD 6-speed manual	3,500	2,100 / 2,100	3,000 / 750	6,000	2,266	1,234
	2.0TDI 140PS FWD 8-speed automatic	3,500	2,100 / 2,100	3,000 / 750	6,000	2,298	1,202
<b>Double cab – Startline long wheelbase.</b>							
CR35	2.0TDI 140PS FWD 6-speed manual	3,500	2,100 / 2,100	3,000 / 750	6,000	2,439	1,061
	2.0TDI 140PS FWD 8-speed automatic	3,500	2,100 / 2,100	3,000 / 750	6,000	2,471	1,029
Tipper		Gross vehicle weight, kg	Axle load limit, front/rear, kg	Trailer weight braked 12%/unbraked, kg	Gross train weight, kg	Unladen weight <sup>1</sup> , kg	Payload <sup>2</sup> , kg
<b>Single cab – Startline medium wheelbase.</b>							
CR35	2.0TDI 140PS FWD 6-speed manual	3,500	2,200 / 2,100	3,000 / 750	6,000	2,419	1,081
	2.0TDI 140PS FWD 8-speed automatic	3,500	2,200 / 2,100	3,000 / 750	6,000	2,451	1,049
	2.0TDI 140PS RWD 6-speed manual	3,500	2,200 / 2,100	3,000 / 750	6,500	2,508	992
<b>Double cab – Startline long wheelbase.</b>							
CR35	2.0TDI 140PS FWD 6-speed manual	3,500	2,200 / 2,100	3,000 / 750	6,000	2,629	871
	2.0TDI 140PS FWD 8-speed automatic	3,500	2,200 / 2,100	3,000 / 750	6,000	2,661	839
	2.0TDI 140PS RWD 6-speed manual	3,500	2,200 / 2,100	3,000 / 750	6,500	2,728	772
Luton		Gross vehicle weight, kg	Axle load limit, front/rear, kg	Trailer weight braked 12%/unbraked, kg	Gross train weight, kg	Unladen weight <sup>1</sup> , kg	Payload <sup>2</sup> , kg
<b>Single cab – Startline long wheelbase.</b>							
CR35	2.0TDI 140PS FWD 6-speed manual	3,500	2,200 / 2,100	3,000 / 750	6,000	2,572	928
	2.0TDI 140PS FWD 8-speed automatic	3,500	2,200 / 2,100	3,000 / 750	6,000	2,604	896

1 Unladen weight includes approximately 90% fuel load and 75kg for driver.

2 Payload = gross vehicle weight minus unladen weight. Quoted weights are for vehicles with standard specification. Unladen weight and payload may be influenced by trimline, factory options and Van Centre fitted accessories. The minimum payload range includes base specification vehicle. The maximum payload range includes the removal of standard features. Please contact your local Volkswagen Van Centre for more details.

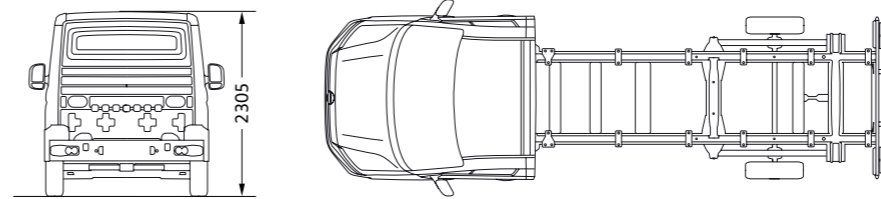
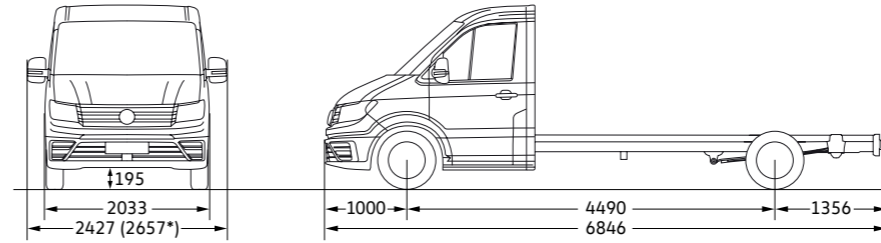
## Chassis cabs dimensions.



\* This value applies for the optional bow-mounted door mirror extensions.

### CR35 single cab medium wheelbase.

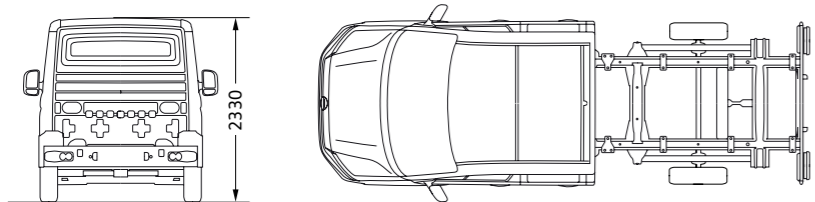
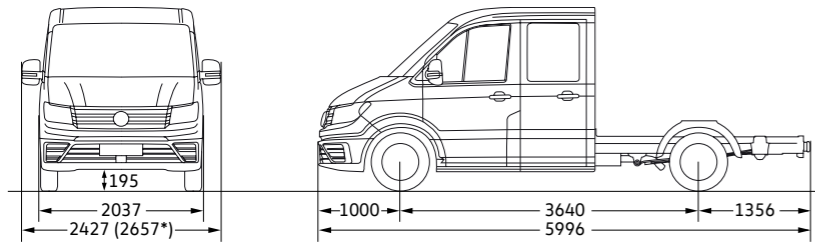
Wheelbase	3,640
Turning circle (wall to wall), m	13.6



\* This value applies for the optional bow-mounted door mirror extensions.

### CR35 single cab long wheelbase.

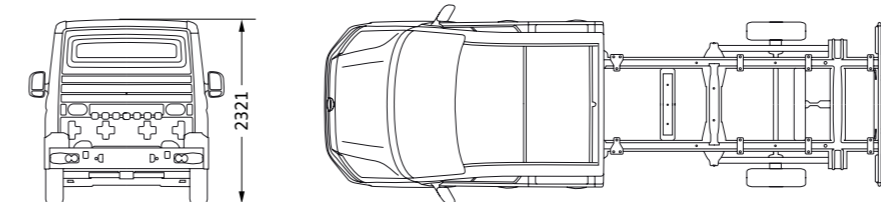
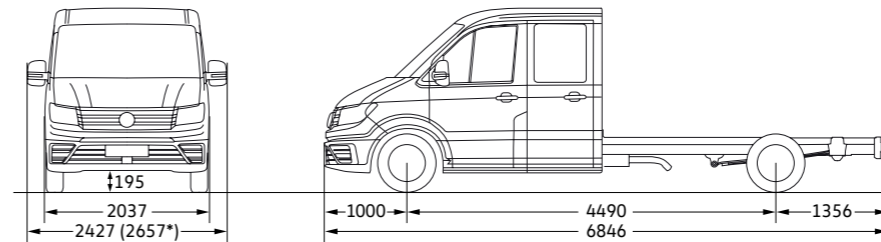
Wheelbase	4,490
Turning circle (wall to wall), m	16.2



\* This value applies for the optional bow-mounted door mirror extensions.

### CR35 double cab medium wheelbase.

Wheelbase	3,640
Turning circle (wall to wall), m	13.6



\* This value applies for the optional bow-mounted door mirror extensions.

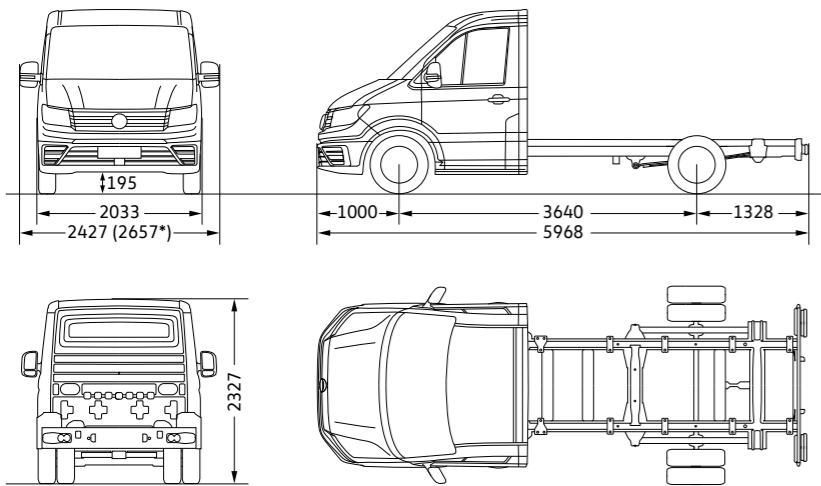
### CR35 double cab long wheelbase.

Wheelbase	4,490
Turning circle (wall to wall), m	16.2

Please note: Vehicle drawings are not to scale. All dimensions in millimetres (mm), unless otherwise stated. The height measurements listed may vary by ± 40mm depending on model and equipment fitted.



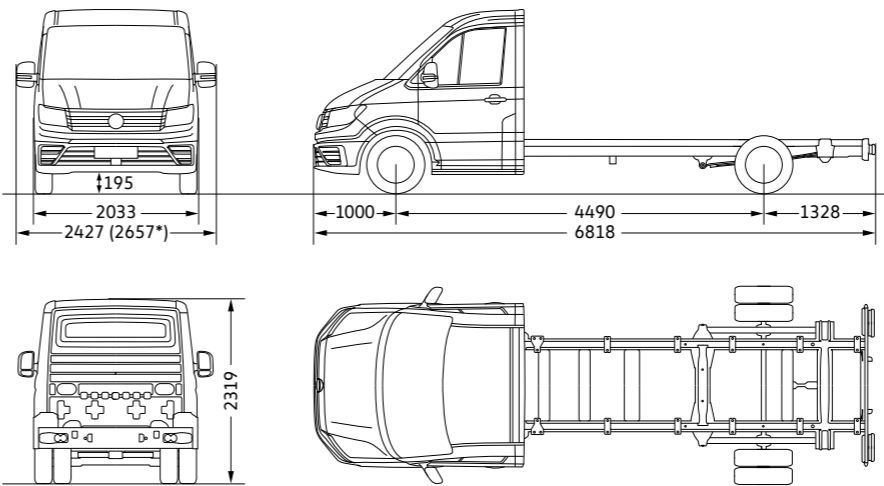
# Chassis cabs dimensions (continued).



\* This value applies for the optional bow-mounted door mirror extensions.

### CR50 single cab medium wheelbase.

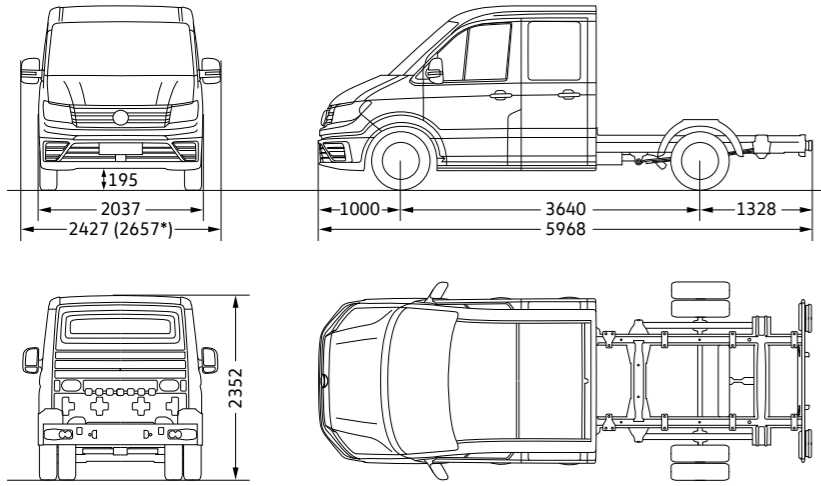
Wheelbase	3,640
Turning circle (wall to wall), m	13.6



\* This value applies for the optional bow-mounted door mirror extensions.

### CR50 single cab long wheelbase.

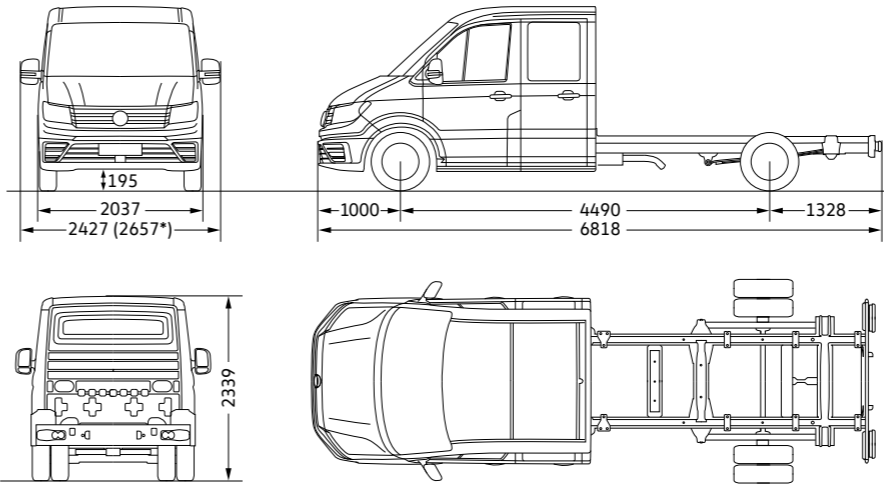
Wheelbase	4,490
Turning circle (wall to wall), m	16.2



\* This value applies for the optional bow-mounted door mirror extensions.

### CR50 double cab medium wheelbase.

Wheelbase	3,640
Turning circle (wall to wall), m	13.6



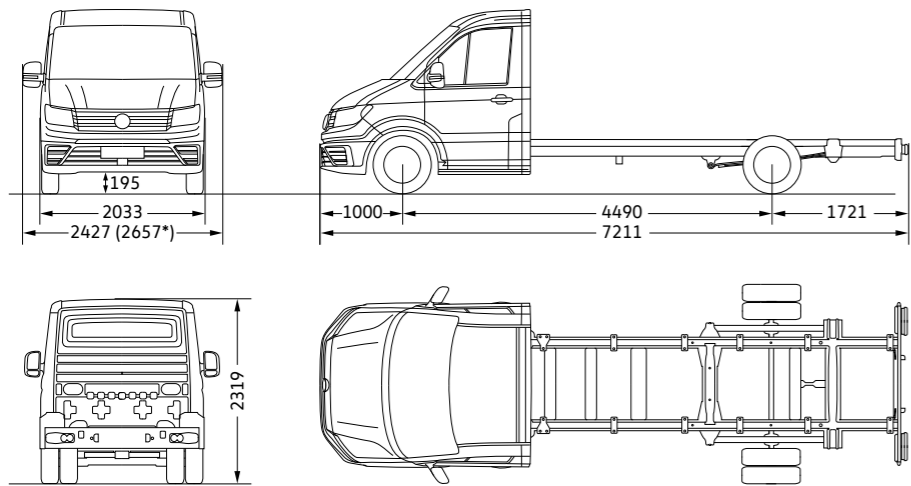
\* This value applies for the optional bow-mounted door mirror extensions.

### CR50 double cab long wheelbase.

Wheelbase	4,490
Turning circle (wall to wall), m	16.2

Please note: Vehicle drawings are not to scale. All dimensions in millimetres (mm), unless otherwise stated. The height measurements listed may vary by ± 40mm depending on model and equipment fitted.

# Chassis cabs dimensions (continued).



\* This value applies for the optional bow-mounted door mirror extensions.

## CR50 single cab long wheelbase maxi.

Wheelbase	4,490
Turning circle (wall to wall), m	16.2

Please note: Vehicle drawings are not to scale. All dimensions in millimetres (mm), unless otherwise stated. The height measurements listed may vary by ± 40mm depending on model and equipment fitted.

# Price list.



**\*Manufacturer's on the road (OTR) package.**

Model	CR35	CR50
Delivery to Van Centre	£620.00	£620.00
Number plates	£20.00	£20.00
VAT	£128.00	£128.00
First registration fee	£55.00	£55.00
Vehicle excise duty (VED) 1st year	£260.00	£165.00
<b>Basic OTR price (exc. VAT)</b>	<b>£955.00</b>	<b>£860.00</b>
<b>Total OTR price (inc. VAT)</b>	<b>£1,083.00</b>	<b>£988.00</b>

## Model prices – Chassis cab.

Trimline	Model	Engine/transmission	Basic exc. VAT	Total inc. VAT	Total RRP inc. OTR* exc. VAT	Total RRP inc. OTR* inc. VAT
Startline medium wheelbase, single cab	CR35	2.0TDI 102PS FWD 6-speed manual	£27,215.00	£32,658.00	£28,170.00	£33,741.00
		2.0TDI 140PS FWD 6-speed manual	£28,675.00	£34,410.00	£29,630.00	£35,493.00
		2.0TDI 140PS FWD 8-speed automatic	£30,455.00	£36,546.00	£31,410.00	£37,629.00
		2.0TDI 140PS RWD 6-speed manual	£30,010.00	£36,012.00	£30,965.00	£37,095.00
		2.0TDI 140PS 4MOTION 6-speed manual	£34,390.00	£41,268.00	£35,345.00	£42,351.00
		2.0TDI 177PS FWD 6-speed manual	£30,480.00	£36,576.00	£31,435.00	£37,659.00
		2.0TDI 177PS FWD 8-speed automatic	£32,260.00	£38,712.00	£33,215.00	£39,795.00
		2.0TDI 177PS RWD 6-speed manual	£31,815.00	£38,178.00	£32,770.00	£39,261.00
		2.0TDI 177PS 4MOTION 6-speed manual	£36,195.00	£43,434.00	£37,150.00	£44,517.00
		2.0TDI 177PS 4MOTION 8-speed automatic	£37,975.00	£45,570.00	£38,930.00	£46,653.00
	CR50	2.0TDI 122PS RWD 6-speed manual	£32,085.00	£38,502.00	£32,945.00	£39,490.00
		2.0TDI 177PS RWD 6-speed manual	£34,585.00	£41,502.00	£35,445.00	£42,490.00
		2.0TDI 177PS RWD 8-speed automatic	£36,365.00	£43,638.00	£37,225.00	£44,626.00

\* Please click here for more details on manufacturer's on the road (OTR) package.

**Volkswagen Commercial Vehicles may change RRP's at any time (this includes where there are government changes in regulation and/or legislation). There may be a delay to any RRP displaying correctly on our materials. Always obtain prices from your chosen authorised Van Centre.**

**Upgrade your Crafter Startline chassis cab with a Business Pack and save £840.\***

\* Saving against the cost of purchasing individual items.

- Anti-theft alarm with interior monitoring, back-up horn and towing protection
- Climatic air conditioning system
- Overhead storage with two 1-Din slots and reading light

[Find out more](#)

FOR ONLY  
**£1,305**  
+ VAT



## Model prices – Chassis cab (continued).

Trimline	Model	Engine/transmission	Basic exc. VAT	Total inc. VAT	Total RRP inc. OTR* exc. VAT	Total RRP inc. OTR* inc. VAT	
Startline long wheelbase, single cab	CR35	2.0TDI 102PS FWD 6-speed manual	£28,720.00	£34,464.00	£29,675.00	£35,547.00	
		2.0TDI 140PS FWD 6-speed manual	£30,180.00	£36,216.00	£31,135.00	£37,299.00	
		2.0TDI 140PS FWD 8-speed automatic	£31,960.00	£38,352.00	£32,915.00	£39,435.00	
		2.0TDI 140PS RWD 6-speed manual	£31,515.00	£37,818.00	£32,470.00	£38,901.00	
		2.0TDI 140PS 4MOTION 6-speed manual	£35,895.00	£43,074.00	£36,850.00	£44,157.00	
		2.0TDI 177PS FWD 6-speed manual	£31,985.00	£38,382.00	£32,940.00	£39,465.00	
		2.0TDI 177PS FWD 8-speed automatic	£33,765.00	£40,518.00	£34,720.00	£41,601.00	
		2.0TDI 177PS RWD 6-speed manual	£33,320.00	£39,984.00	£34,275.00	£41,067.00	
		2.0TDI 177PS 4MOTION 6-speed manual	£37,700.00	£45,240.00	£38,655.00	£46,323.00	
		2.0TDI 177PS 4MOTION 8-speed automatic	£39,480.00	£47,376.00	£40,435.00	£48,459.00	
		CR50	2.0TDI 122PS RWD 6-speed manual	£33,590.00	£40,308.00	£34,450.00	£41,296.00
			2.0TDI 177PS RWD 6-speed manual	£36,090.00	£43,308.00	£36,950.00	£44,296.00
2.0TDI 177PS RWD 8-speed automatic	£37,870.00		£45,444.00	£38,730.00	£46,432.00		
Startline long wheelbase Maxi, single cab	CR50	2.0TDI 122PS RWD 6-speed manual	£34,480.00	£41,376.00	£35,340.00	£42,364.00	
		2.0TDI 177PS RWD 6-speed manual	£36,980.00	£44,376.00	£37,840.00	£45,364.00	
		2.0TDI 177PS RWD 8-speed automatic	£38,760.00	£46,512.00	£39,620.00	£47,500.00	

\* Please click here for more details on manufacturer's on the road (OTR) package.

**Volkswagen Commercial Vehicles may change RRP's at any time (this includes where there are government changes in regulation and/or legislation). There may be a delay to any RRP displaying correctly on our materials. Always obtain prices from your chosen authorised Van Centre.**

## Model prices – Chassis cab (continued).

Trimline	Model	Engine/transmission	Basic exc. VAT	Total inc. VAT	Total RRP inc. OTR* exc. VAT	Total RRP inc. OTR* inc. VAT
Startline medium wheelbase, double cab	CR35	2.0TDI 102PS FWD 6-speed manual	£28,700.00	£34,440.00	£29,655.00	£35,523.00
		2.0TDI 140PS FWD 6-speed manual	£30,160.00	£36,192.00	£31,115.00	£37,275.00
		2.0TDI 140PS FWD 8-speed automatic	£31,940.00	£38,328.00	£32,895.00	£39,411.00
		2.0TDI 140PS RWD 6-speed manual	£31,495.00	£37,794.00	£32,450.00	£38,877.00
		2.0TDI 140PS 4MOTION 6-speed manual	£35,875.00	£43,050.00	£36,830.00	£44,133.00
		2.0TDI 177PS FWD 6-speed manual	£31,965.00	£38,358.00	£32,920.00	£39,441.00
		2.0TDI 177PS FWD 8-speed automatic	£33,745.00	£40,494.00	£34,700.00	£41,577.00
		2.0TDI 177PS RWD 6-speed manual	£33,300.00	£39,960.00	£34,255.00	£41,043.00
		2.0TDI 177PS 4MOTION 6-speed manual	£37,680.00	£45,216.00	£38,635.00	£46,299.00
		2.0TDI 177PS 4MOTION 8-speed automatic	£39,460.00	£47,352.00	£40,415.00	£48,435.00
	CR50	2.0TDI 122PS RWD 6-speed manual	£33,570.00	£40,284.00	£34,430.00	£41,272.00
		2.0TDI 177PS RWD 6-speed manual	£36,070.00	£43,284.00	£36,930.00	£44,272.00
		2.0TDI 177PS RWD 8-speed automatic	£37,850.00	£45,420.00	£38,710.00	£46,408.00

\* Please click here for more details on manufacturer's on the road (OTR) package.

**Volkswagen Commercial Vehicles may change RRP's at any time (this includes where there are government changes in regulation and/or legislation). There may be a delay to any RRP displaying correctly on our materials. Always obtain prices from your chosen authorised Van Centre.**

## Model prices – Chassis cab (continued).

Trimline	Model	Engine/transmission	Basic exc. VAT	Total inc. VAT	Total RRP inc. OTR* exc. VAT	Total RRP inc. OTR* inc. VAT	
Startline long wheelbase, double cab	CR35	2.0TDI 102PS FWD 6-speed manual	£30,205.00	£36,246.00	£31,160.00	£37,329.00	
		2.0TDI 140PS FWD 6-speed manual	£31,665.00	£37,998.00	£32,620.00	£39,081.00	
		2.0TDI 140PS FWD 8-speed automatic	£33,445.00	£40,134.00	£34,400.00	£41,217.00	
		2.0TDI 140PS RWD 6-speed manual	£33,000.00	£39,600.00	£33,955.00	£40,683.00	
		2.0TDI 140PS 4MOTION 6-speed manual	£37,380.00	£44,856.00	£38,335.00	£45,939.00	
		2.0TDI 177PS FWD 6-speed manual	£33,470.00	£40,164.00	£34,425.00	£41,247.00	
		2.0TDI 177PS FWD 8-speed automatic	£35,250.00	£42,300.00	£36,205.00	£43,383.00	
		2.0TDI 177PS RWD 6-speed manual	£34,805.00	£41,766.00	£35,760.00	£42,849.00	
		2.0TDI 177PS 4MOTION 6-speed manual	£39,185.00	£47,022.00	£40,140.00	£48,105.00	
		2.0TDI 177PS 4MOTION 8-speed automatic	£40,965.00	£49,158.00	£41,920.00	£50,241.00	
		CR50	2.0TDI 122PS RWD 6-speed manual	£35,075.00	£42,090.00	£35,935.00	£43,078.00
			2.0TDI 177PS RWD 6-speed manual	£37,575.00	£45,090.00	£38,435.00	£46,078.00
			2.0TDI 177PS RWD 8-speed automatic	£39,355.00	£47,226.00	£40,215.00	£48,214.00

\* Please click here for more details on manufacturer's on the road (OTR) package.

**Volkswagen Commercial Vehicles may change RRP's at any time (this includes where there are government changes in regulation and/or legislation). There may be a delay to any RRP displaying correctly on our materials. Always obtain prices from your chosen authorised Van Centre.**

## Model prices – Engineered to go™

Dropside	Model	Engine/transmission	Basic exc. VAT	Total inc. VAT	Total RRP inc. OTR* exc. VAT	Total RRP inc. OTR* inc. VAT
Startline medium wheelbase, single cab	CR35	2.0TDI 140PS FWD 6-speed manual	£32,335.00	£38,802.00	£33,290.00	£39,885.00
		2.0TDI 140PS FWD 8-speed automatic	£34,115.00	£40,938.00	£35,070.00	£42,021.00
Startline long wheelbase, single cab	CR35	2.0TDI 140PS FWD 6-speed manual	£33,840.00	£40,608.00	£34,795.00	£41,691.00
		2.0TDI 140PS FWD 8-speed automatic	£35,620.00	£42,744.00	£36,575.00	£43,827.00
Startline long wheelbase, double cab	CR35	2.0TDI 140PS FWD 6-speed manual	£35,325.00	£42,390.00	£36,280.00	£43,473.00
		2.0TDI 140PS FWD 8-speed automatic	£37,105.00	£44,526.00	£38,060.00	£45,609.00
<b>Tipper</b>						
Startline medium wheelbase, single cab	CR35	2.0TDI 140PS FWD 6-speed manual	£34,175.00	£41,010.00	£35,130.00	£42,093.00
		2.0TDI 140PS FWD 8-speed automatic	£35,955.00	£43,146.00	£36,910.00	£44,229.00
		2.0TDI 140PS RWD 6-speed manual	£35,510.00	£42,612.00	£36,465.00	£43,695.00
Startline long wheelbase, double cab	CR35	2.0TDI 140PS FWD 6-speed manual	£37,165.00	£44,598.00	£38,120.00	£45,681.00
		2.0TDI 140PS FWD 8-speed automatic	£38,945.00	£46,734.00	£39,900.00	£47,817.00
		2.0TDI 140PS RWD 6-speed manual	£38,500.00	£46,200.00	£39,455.00	£47,283.00
<b>Luton</b>						
Startline long wheelbase, single cab	CR35	2.0TDI 140PS FWD 6-speed manual	£37,130.00	£44,556.00	£38,085.00	£45,639.00
		2.0TDI 140PS FWD 8-speed automatic	£38,910.00	£46,692.00	£39,865.00	£47,775.00

\* Please click here for more details on manufacturer's on the road (OTR) package.

**Volkswagen Commercial Vehicles may change RRP's at any time (this includes where there are government changes in regulation and/or legislation). There may be a delay to any RRP displaying correctly on our materials. Always obtain prices from your chosen authorised Van Centre.**



## Chassis cab options.

**Startline.  
Single/Double cab.**

Paint.	PR Code.	Van.	Basic exc. VAT	Total RRP inc. VAT
<b>Solid.</b> Bright Orange (E3E3/2JB) <sup>1</sup> , Candy White (B4B4), Cherry Red (4B4B), Deep Ocean (0POP), Ontario Green (V7V7).	As shown	Chassis cab	○	○
<b>Metallic.</b> Indium Grey (X3X3), Reflex Silver (8E8E).	As shown	Chassis cab	£1,150.00	£1,380.00
<b>Pearl effect.</b> Deep Black (2T2T).	As shown	Chassis cab	£1,245.00	£1,494.00
<b>Interior trim.</b>				
<b>Seat trim covers in Austin fabric.</b> Seats in Titanium Black/dashboard upper-lower in Titanium Black-Palladium/flooring in Pearl Grey.	N0L/AS	Chassis cab	●	●
<b>Seat trim covers in Memphis fabric.</b> Seats in Titanium Black/dashboard upper-lower in Titanium Black-Palladium/flooring in Pearl Grey.	N2C/AS	Chassis cab	£25.00	£30.00
<b>Seat trim covers in Leatherette – Mesh.</b> Seats in Palladium-Titanium Black/dashboard upper-lower Titanium Black-Palladium/floor covering in Pearl Grey.	N0C/AL	Chassis cab	£55.00	£66.00
<b>Seat trim covers in Robust fabric.</b> Seats in Palladium-Titanium Black/dashboard upper-lower Titanium Black-Palladium/floor covering in Pearl Grey.	N1C/AL	Chassis cab	£130.00	£156.00
<b>Seating.</b>				
<b>Dual passenger seat in cab with storage compartment and folding tray in backrest.</b>	3TS	Chassis cab	●	●
<b>Basic single driver's seat.</b>	3SH	Chassis cab	●	●
<b>Basic single passenger seat.</b>	3TH	Chassis cab	-£235.00	-£282.00
<b>Comfort single driver's seat.</b> With longitudinal seat adjustment, adjustable backrest, height adjustment, 2-way lumbar support, adjustable seat cushion angle and a single armrest on the inner side.	3SE	Chassis cab	£195.00	£234.00
<b>Comfort single passenger seat.</b>	3TE	Chassis cab	○	○
<b>Comfort plus single driver's seat.</b> With longitudinal seat adjustment, adjustable backrest, height adjustment, 4-way electronic lumbar support, adjustable seat cushion angle and a two armrests.	3SF	Chassis cab	£270.00	£324.00
<b>Comfort plus single passenger seat.</b>	3TF	Chassis cab	○	○
<b>Dual passenger seat in cab with underseat storage.</b>	3TJ	Chassis cab	○	○
<b>ergoComfort driver's seat.</b>	3SP	Chassis cab	£325.00	£390.00
<b>ergoComfort passenger seat.</b>	3TP	Chassis cab	£220.00	£264.00
<b>ergoActive driver's seat.</b> Including massage function.	3SK	Chassis cab	£385.00	£462.00

● Standard – Not available ○ At no extra cost Where additional equipment is required by chosen options, additional equipment will be charged at the prices shown.

1 Bright Orange – this comes without the standard painted trim panel in the bumper.

**Volkswagen Commercial Vehicles may change RRP's at any time (this includes where there are government changes in regulation and/or legislation). There may be a delay to any RRP displaying correctly on our materials. Always obtain prices from your chosen authorised Van Centre.**

## Chassis cab options (continued).

Startline.  
Single/Double cab.

### Seating (continued).

	PR Code.	Van.	Basic exc. VAT	Total RRP inc. VAT
Heated driver's seat.	4A1	Chassis cab	£255.00	£306.00
Heated driver's and front passenger seats.	4A3	Chassis cab	£325.00	£390.00

### Wheel and tyre accessories.

All-weather tyres.	VG1	Chassis cab	£190.00	£228.00
Lockable wheel bolts.	1PB	Chassis cab	£25.00	£30.00
Winter tyres.	VG2/Q69	Chassis cab	£190.00	£228.00
Wheel trims.	1ND	Chassis cab	£75.00	£90.00

### Audio and communications.

Composition Audio. With 5" display, USB and mobile phone interface.	17D	Chassis cab	●	●
Composition Media including DAB+ with 8" touch-screen. USB interface, 4 speakers (2 tweeters and 2 woofers), multi-function display plus, mobile phone interface, voice control and App-Connect.	Z34/QV3	Chassis cab	£630.00	£756.00
Discover Media navigation system with 8" touch-screen. USB interface, 4 speakers (2 tweeters and 2 woofers), multi-function display plus, mobile phone interface, voice control, Volkswagen Media Control and App-Connect.	Z44/ Z99/7RE	Chassis cab	£1,030.00	£1,236.00
Multi-function display.		Chassis cab	●	●

### Comfort and convenience.

Glove compartment – illuminated with lockable lid.	4Z3	Chassis cab	●	●
Headlight washer system with washer fluid level indicator.	ZSR	Chassis cab	£275.00	£330.00
Heated washer nozzles (windscreen).	9T1	Chassis cab	£45.00	£54.00
Overhead storage compartment with two 1-DIN slots and reading light.	QE4	Chassis cab	£135.00	£162.00
Step illumination – with on/off control.	9N2	Chassis cab	£55.00	£66.00
Convex exterior mirrors with large brace (left and right), for 2,200mm maximum bodywork width.	ZB2	Chassis cab	£65.00	£78.00
Exterior mirrors with brace (registration possible as of bodywork width of 2,160mm) and position lights on roof.	ZB1	Chassis cab	£115.00	£138.00

● Standard – Not available ○ At no extra cost Where additional equipment is required by chosen options, additional equipment will be charged at the prices shown.

**Volkswagen Commercial Vehicles may change RRP's at any time (this includes where there are government changes in regulation and/or legislation). There may be a delay to any RRP displaying correctly on our materials. Always obtain prices from your chosen authorised Van Centre.**

## Chassis cab options (continued).

Startline.  
Single/Double cab.

Driver assistance.	PR Code.	Van.	Basic exc. VAT	Total RRP inc. VAT
Adaptive Cruise Control (ACC). Manual engines only.	8T7	Chassis cab	£915.00	£1,098.00
Adaptive Cruise Control (ACC). Automatic engines only.	8T8	Chassis cab	£915.00	£1,098.00
Cruise control with speed limiter.	8T6	Chassis cab	£325.00	£390.00
Driver alert system.	EM1	Chassis cab	●	●
Front Assist including City Emergency Braking System.	6K2/9S3	Chassis cab	●	●
Front fog lights with cornering function.	8WH	Chassis cab	£235.00	£282.00
High Beam Assist.	8G1	Chassis cab	£120.00	£144.00
Lane Keeping Assist.	7Y4	Chassis cab	£450.00	£540.00
LED headlights with separate LED daytime running lights.	8IT	Chassis cab	£945.00	£1,134.00
Lights & Vision pack A. Includes auto-dimming rear-view mirror, automatic headlights with daytime running lights and windscreen wiper and intermittent control with rain sensor.	ZA3	Chassis cab	£230.00	£276.00
Lights & Vision pack B. Includes auto-dimming rear-view mirror, automatic headlights with daytime running lights and windscreen wiper and intermittent control with rain sensor and High Beam Assist.	ZLS	Chassis cab	£345.00	£414.00
Multi-function steering wheel.	2ZA	Chassis cab	£295.00	£354.00
Leather heated multi-function steering wheel.	2ZW	Chassis cab	£485.00	£582.00

### Body and chassis.

Mudflaps – front.	6N3	Chassis cab	£55.00	£66.00
Side marker lights.	8F1	Chassis cab	●	●
Towbar – fixed.	1D1	Chassis cab	£595.00	£714.00
Towbar – preparation with bracket socket and cable.	1D8	Chassis cab	£490.00	£588.00
Towbar – including wiring harness and control unit for trailer stabilisation.	1D7	Chassis cab	£205.00	£246.00
Towbar – removable ball with 13-pin socket.	1D2	Chassis cab	£735.00	£882.00

● Standard – Not available ○ At no extra cost Where additional equipment is required by chosen options, additional equipment will be charged at the prices shown.

**Volkswagen Commercial Vehicles may change RRP's at any time (this includes where there are government changes in regulation and/or legislation). There may be a delay to any RRP displaying correctly on our materials. Always obtain prices from your chosen authorised Van Centre.**

## Chassis cab options (continued).

Startline.  
Single/Double cab.

### Body and chassis (continued).

	PR Code.	Van.	Basic exc. VAT	Total RRP inc. VAT
Wing mirrors – electrically heated and adjustable.	6XN	Chassis cab	£110.00	£132.00
Without nameplates for model and engine.	0NA	Chassis cab	○	○
Position lights (front on the roof and clearance marker light in the tail lights).	6S3	Chassis cab	£55.00	£66.00
Side marker lights preparation.	7R8	Chassis cab	○	○
Upgraded suspension/shock absorption in front and rear.	1BJ	Chassis cab	£165.00	£198.00
Wheel chock – pair.	2NC	Chassis cab	£40.00	£48.00
Wheel chock – single.	2NB	Chassis cab	£20.00	£24.00

### Cargo.

Rubber all-weather mats in cab.	YSA	Chassis cab	£55.00	£66.00
---------------------------------	-----	-------------	--------	--------

### Electrical.

Smart tachograph – digital. A smart tachograph is installed in the additional console mounted on the dashboard. Data such as the driven speeds, driving and rest periods are saved on the instrument's internal driver card. A driver card must be inserted into the device for use.	9NI	Chassis cab	£640.00	£768.00
Additional 12V sockets, two in cab and load compartment.	7B7	Chassis cab	£55.00	£66.00

### Heating and ventilation.

Climatic air conditioning in cab.	See Business Pack offer.	ZK1	Chassis cab	£1,480.00	£1,776.00
-----------------------------------	--------------------------	-----	-------------	-----------	-----------

● Standard – Not available ○ At no extra cost Where additional equipment is required by chosen options, additional equipment will be charged at the prices shown.

Volkswagen Commercial Vehicles may change RRP's at any time (this includes where there are government changes in regulation and/or legislation). There may be a delay to any RRP displaying correctly on our materials. Always obtain prices from your chosen authorised Van Centre.

## Chassis cab options (continued).

Safety and security.	PR Code.	Van.	Startline. Single/Double cab.	
			Basic exc. VAT	Total RRP inc. VAT
Airbag – driver’s.	4UC	Chassis cab	●	●
Airbags – driver’s and passenger’s airbag with front passenger’s airbag deactivation.	4UF	Chassis cab	£200.00	£240.00
Airbags – driver’s side and curtain.	4X6	Chassis cab	£760.00	£912.00
Airbags – driver’s and front passenger’s side and curtain.	4X3	Chassis cab	£890.00	£1,068.00
Anti-theft alarm system – with interior monitoring, back-up horn and tow-away protection. Overhead storage compartment with two 1-DIN slots and reading light.	7AQ/QE4	Chassis cab	£665.00	£798.00
Anti-theft alarm system – with interior monitoring, back-up horn and tow-away protection. Overhead storage compartment with two 1-DIN slots and reading light. Also including SAFELOCK.	4K3/7AQ/QE4	Chassis cab	£675.00	£810.00
Automatic Post-Collision Braking.	1AS	Chassis cab	●	●
Two remote control folding keys.	8QJ	Chassis cab	●	●
Tyre pressure warning light.	7K3	Chassis cab	£325.00	£390.00
<b>Windows.</b>				
Heated windscreen.	4GX	Chassis cab	£235.00	£282.00
Rear window including rear-view mirror.	ZHF	Chassis cab	£140.00	£168.00
<b>Business Pack.</b>				
Anti-theft alarm system – with interior monitoring, back-up horn and tow-away protection. Overhead storage compartment with two 1-DIN slots and reading light. Climatic air conditioning in cab.	W56	Chassis cab	£1,305.00	£1,566.00

See Business Pack offer.

● Standard – Not available ○ At no extra cost Where additional equipment is required by chosen options, additional equipment will be charged at the prices shown.

*Volkswagen Commercial Vehicles may change RRPs at any time (this includes where there are government changes in regulation and/or legislation). There may be a delay to any RRP displaying correctly on our materials. Always obtain prices from your chosen authorised Van Centre.*

### Upgrade with the Business Pack.

You can drive away in an upgraded Volkswagen Crafter chassis cab for less thanks to the Business Pack. The discounted pack features air-conditioning, an alarm and an overhead storage compartment in the cab for as little as £1,305 +VAT. That’s a saving for you and your business.



## Chassis cab converter options.

Startline.  
Single/Double cab.

Seating.	PR Code.	Van.	Basic exc. VAT	Total RRP inc. VAT
Without passenger's seat.	3TA	Chassis cab	○	○
<b>Wheel and tyre accessories.</b>				
16" steel wheels. 6.5J x 16 with 1,050kg load in Black.	C1G	Chassis cab	○	○
Tool kit <sup>1</sup> .	1S3	Chassis cab	○	○
Tyre mobility kit in lieu of spare wheel. Includes 12V compressor and tyre sealant.	1G8	Chassis cab	○	○
Continental tyres.	VOF	Chassis cab	£35.00	£42.00
Hankook tyres.	VOQ	Chassis cab	£35.00	£42.00
Kumho tyres.	VOY	Chassis cab	£35.00	£42.00
Maxxis tyres.	VOW	Chassis cab	£35.00	£42.00
Michelin tyres.	VOG	Chassis cab	£35.00	£42.00
<b>Audio and communications.</b>				
Radio preparation. With 2 speakers.	Z12	Chassis cab	-£110.00	-£132.00

● Standard - Not available ○ At no extra cost Where additional equipment is required by chosen options, additional equipment will be charged at the prices shown.  
1 This removes the Jack which comes as standard.

**Volkswagen Commercial Vehicles may change RRPs at any time (this includes where there are government changes in regulation and/or legislation). There may be a delay to any RRP displaying correctly on our materials. Always obtain prices from your chosen authorised Van Centre.**

## Chassis cab converter options (continued).

Startline.

### Comfort and convenience.

	PR Code.	Van.	Basic exc. VAT	Total RRP inc. VAT
<b>Smoker's package.</b> 12V socket with cigarette lighter, ashtray and 2 beverage holders in dashboard.	9JC	Chassis cab	£35.00	£42.00
<b>Without interior light in passenger/load compartment.</b>	9CA	Chassis cab	○	○

### Body and chassis.

<b>Driver door, reinforced (hinge).</b>	0D3	Chassis cab	£60.00	£72.00
<b>Tail lift for Luton van.</b>	W47	Chassis cab	£2,030.00	£2,436.00
<b>Electric tail lift preparation.</b> Only in combination with a second battery and various different terminal blocks at an extra cost. Not in combination with rear parking sensors.	5S4	Chassis cab	£100.00	£120.00
<b>Fuel factory fill increase – 23 litre volume.</b>	1Z2	Chassis cab	£25.00	£30.00
<b>Front axle – heavy duty (2,200kg load).</b>	VV8	Chassis cab	£260.00	£312.00
<b>Rotating emergency light preparation.</b>	9LX	Chassis cab	£40.00	£48.00
<b>Suspension and shock absorbers, uprated heavy-duty stabilisers.</b>	2MG	Chassis cab	£275.00	£330.00
<b>Suspension and shock absorbers, standard – uprated heavy-duty stabilisers.</b>	2MF	Chassis cab	£100.00	£120.00
<b>End cross member, narrow design with L = 1,149mm and H = 225mm, bolted.</b>	AT2	Chassis cab	£50.00	£60.00
<b>Without end cross member.</b>	AT0	Chassis cab	○	○
<b>Preparation for additional turn signals.</b>	9H2	Chassis cab	£35.00	£42.00
<b>Refrigerant compressor.</b>	2AB	Chassis cab	£630.00	£756.00
<b>Preparation for LED rear combination light.</b>	8SW	Chassis cab	○	○

● Standard – Not available ○ At no extra cost Where additional equipment is required by chosen options, additional equipment will be charged at the prices shown.

**Volkswagen Commercial Vehicles may change RRP's at any time (this includes where there are government changes in regulation and/or legislation). There may be a delay to any RRP displaying correctly on our materials. Always obtain prices from your chosen authorised Van Centre.**

## Chassis cab converter options (continued).

Startline.

### Body and chassis (continued).

	PR Code.	Van.	Basic exc. VAT	Total RRP inc. VAT
Preparation for LED rear combination light with extended cable.	8SX	Chassis cab	£35.00	£42.00
Preparation for rear combination light.	8SZ	Chassis cab	○	○
Preparation for rear combination light, with extended cable.	8SY	Chassis cab	£35.00	£42.00
Rear combination lights with extended cable.	8SE	Chassis cab	£35.00	£42.00
Drive-under protection, rear.	0S1	Chassis cab	£110.00	£132.00
Drive-under protection, rear and side.	0S3	Chassis cab	£280.00	£336.00
Drive-under protection, side.	0S4	Chassis cab	£155.00	£186.00
Side underbody cladding in combination with storage boxes under platform.	YBH	Chassis cab	£245.00	£294.00

### Electrical.

AGM battery (95Ah, 520A) and second battery 480A. This option removes KFG preparation from the vehicle.	NY5	Chassis cab	£420.00	£504.00
AGM battery (95Ah, 520A) and stronger generator 180A.	NY4	Chassis cab	£290.00	£348.00
Acoustic warning signal when reverse gear is engaged, can be deactivated.	IL2	Chassis cab	£255.00	£306.00
Battery – main switch.	9BE	Chassis cab	£100.00	£120.00
Battery – uprated 110Ah.	NY2	Chassis cab	£45.00	£54.00
Second alternator 180A. This option is only in combination with Climatic air conditioning and various different terminal blocks and function controls at an additional cost.	8HI	Chassis cab	£630.00	£756.00

● Standard – Not available ○ At no extra cost Where additional equipment is required by chosen options, additional equipment will be charged at the prices shown.

**Volkswagen Commercial Vehicles may change RRP's at any time (this includes where there are government changes in regulation and/or legislation). There may be a delay to any RRP displaying correctly on our materials. Always obtain prices from your chosen authorised Van Centre.**



## Chassis cab converter options (continued).

Electrical (continued).	PR Code.	Van.	Startline.	
			Basic exc. VAT	Total RRP inc. VAT
Second AGM battery with cut-off relay 92Ah 520A.	8FB	Chassis cab	£320.00	£384.00
Second AGM battery with cut-off relay and battery monitoring 92Ah 520A.	8FE	Chassis cab	£365.00	£438.00
Second battery with cut-off relay and battery monitoring 95Ah 450A.	8FK	Chassis cab	£365.00	£438.00
Smart tachograph – digital. For use with blue rotating light and siren.	9NP	Chassis cab	£640.00	£768.00
Terminal block.	IS1	Chassis cab	£80.00	£96.00
Terminal block and function control module 1 with body builder (ABH) programming.	IS2	Chassis cab	£365.00	£438.00
Terminal block and function control module 1 with telematics preparation and body builder (ABH) programming.	IS3	Chassis cab	£595.00	£714.00
Terminal block and function control module 2 with body builder (ABH) programming.	IS7	Chassis cab	£390.00	£468.00
Terminal block and preparation for function control module 2 with telematics preparation and body builder ABH programming. Customer specific function control module (KFG Mid) WLAN, USB and Bluetooth®.	IS8	Chassis cab	£635.00	£762.00
With plug socket(s) in front.	EU4	Chassis cab	£55.00	£66.00
<b>Heating and ventilation.</b>				
Water auxiliary heater. With programmable parking heater and remote control.	7VL	Chassis cab	£950.00	£1,140.00
<b>Safety and security.</b>				
Speed limiter – 62mph.	7H2	Chassis cab	£105.00	£126.00
Speed limiter – 74mph.	7H3	Chassis cab	£105.00	£126.00
Warning triangle.	1T8	Chassis cab	£50.00	£60.00
Speed control.	US1	Chassis cab	£135.00	£162.00

● Standard – Not available ○ At no extra cost Where additional equipment is required by chosen options, additional equipment will be charged at the prices shown.

**Volkswagen Commercial Vehicles may change RRP's at any time (this includes where there are government changes in regulation and/or legislation). There may be a delay to any RRP displaying correctly on our materials. Always obtain prices from your chosen authorised Van Centre.**

# Accessories.

## 100% safety and security. 100% Volkswagen.

Add extra security, protection and practicality to your new Crafter chassis cab, while still keeping it 100% Volkswagen. Our range of rugged and long-lasting Accessories are a perfect match for fit and allow you to truly customise your vehicle. Whether you want added technology or need extra flexibility with a sturdy towbar, there's something in our Accessories range for you. And remember, most Accessories include a two-year warranty for added peace-of-mind.



**Want to discover more?**  
Pop into your nearest Van Centre  
or call **0800 717 131.**

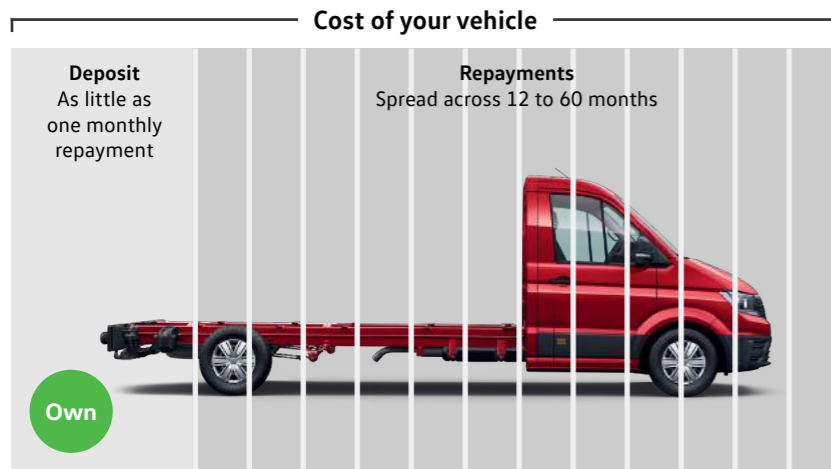


# Finance made simple.

## As dedicated to finance as we are to your new Crafter chassis cab.

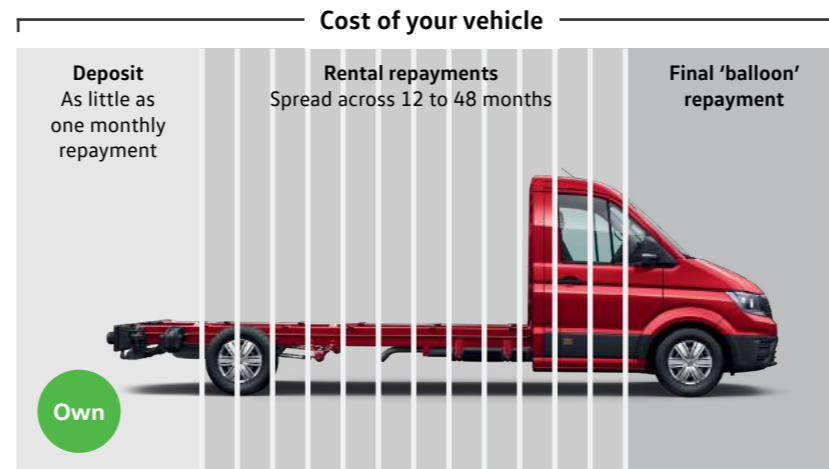
Learn more about our range of finance products to find a finance package that suits your budget.

Alternatively, 'Click on' the Offers & Finance button above to find out more about our latest offers to help your business thrive.



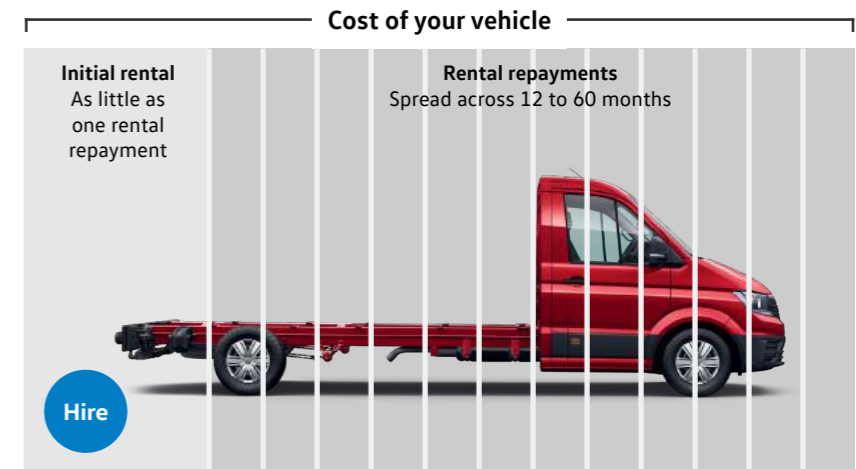
### Hire Purchase

Make all the regular monthly payments. At the end the vehicles is yours.



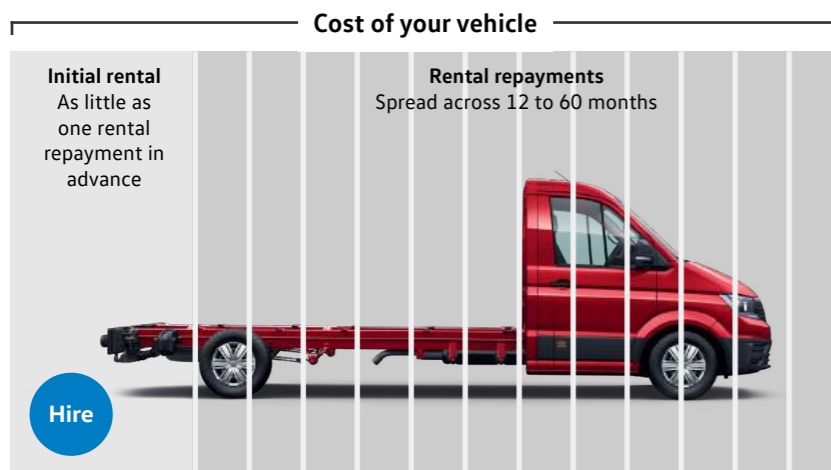
### Lease Purchase

Make lower monthly payments by deferring an amount until the end. Once paid the vehicle is yours.



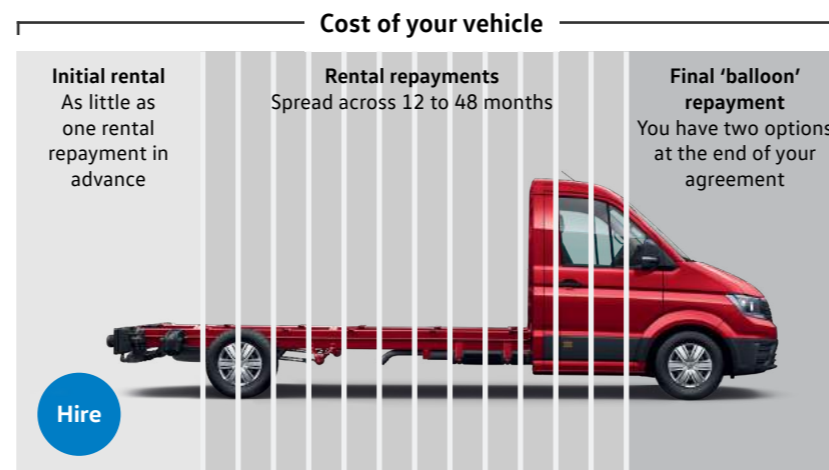
### Contract Hire

Pay fixed monthly rentals to hire the vehicle. Look after it so at the end you can return it hassle free.



### Finance Lease (full pay out)

Pay monthly rentals to hire the vehicle. At the end you have two options. Sell the vehicle and receive a percentage of the sale proceeds. Or retain the use of your vehicle by paying a reduced annual rental.



### Finance Lease (balloon repayment)

Pay monthly rentals to hire the vehicle. At the end you have two options. Sell the vehicle to settle the outstanding amount and receive any excess sale proceeds. Or pay the 'balloon' payment and retain the use of your vehicle by paying a reduced annual rental.

Finance subject to status. Available to 18s and over in the UK only. Terms and Conditions apply. Volkswagen Commercial Vehicle Financial Services.

## Service & warranties.

### Finance and insurance.<sup>1</sup>

When it comes to paying for your van, we've got options including Contract Hire and Finance Lease, or Hire Purchase. We can also offer you competitive insurance.

### A choice of packages.<sup>2</sup>

Whether you prefer to lease your vehicles, with none of the concerns of ownership and the freedom to change models easily, or purchase outright to own the vehicle that's perfect for your business, we're here to help you consider your options.

You can go flexible, by choosing a payment plan that suits your finances, with options to reduce your monthly costs and your repayment period. Or choose a fixed monthly price that allows you to budget confidently for the longer term.

You can even include your road tax and servicing costs to arrive at one simple, all-inclusive payment. For more information, pick up a finance brochure, or ask at your Van Centre.

### Volkswagen insurance.

Volkswagen Commercial Vehicles Insurance<sup>3</sup> provides cost-effective and comprehensive motor insurance<sup>3</sup>, as well as gap insurance<sup>4</sup>, which helps replace your vehicle and protect you from any financial shortfall if it's written off.

#### Insurance benefits include:

- Complimentary 5-day drive away insurance cover.
- All repairs performed by approved repairers.
- Volkswagen Genuine Parts<sup>®</sup> used on all repairs.
- Courtesy vehicle provided during repair following an accident (subject to availability).
- Cover for breakage and damage to glass.
- In-vehicle personal belongings cover (up to £250).
- Vehicle recovery.
- 90-day European Union cover.

For more information about our motor insurance call: **0345 877 6355** (lines open 9am-6pm Monday-Friday) or visit: [insurewithvvcv.co.uk](http://insurewithvvcv.co.uk)

### Servicing and support.

We're here to keep your business moving, with our range of three award-winning<sup>5</sup> servicing and maintenance options, as well as free Roadside Assistance. Some exclusions apply. For more detail, please visit [www.volkswagen-vans.co.uk/aftersales](http://www.volkswagen-vans.co.uk/aftersales).

### Pay monthly.

This option is available for vehicles that are less than 12 months old and have covered less than 10,000 miles. It makes budgeting easier by splitting the cost of servicing into fixed monthly payments – whether you want Service only; Service and Maintenance; or Service, Maintenance and Tyres.

### Pay upfront.<sup>6</sup>

If you can pay for more than one service upfront, we'll help by reducing your costs. Buy two upfront and you'll receive one interim and one full service at a discounted rate. Buy four and you'll receive two interim and two full services, with your next MOT also included.

### Pay on demand.

If you're looking for freedom and flexibility with your servicing, it's good to know we're ready when you are. So with our third option, you can choose to pay for your services as and when you need them, with our National Service Pricing. Ask your Van Centre for an up-to-date pricing guide.

### Roadside Assistance.

We understand the need to keep you mobile. That's why all new vans come with three-year, unlimited mileage roadside cover. Should the unexpected happen, one call gets you straight through to a team trained to help you through any breakdown or accident. Supporting you every day will be a team of vehicle technicians, fully-trained by Volkswagen and carrying the latest diagnostic equipment, specialist tools and parts.

#### Assistance benefits include:

- Assistance at home, by the roadside or place of work.
- Recovery to your preferred location.
- Onward travel, for you and your cargo.
- Cover 24 hours a day, 365 days a year.
- Free cover for three years (on new vehicles).
- Unlimited mileage.
- European cover.
- Option to extend cover beyond three years.

### Warranties.

You can count on us long after you purchase your new Crafter chassis cab, thanks to its comprehensive three-year unlimited mileage warranty. You choose Volkswagen because your business depends on it, year in, year out. While your new Crafter chassis cab is under warranty, we'll fix any defect in manufacture or workmanship free of charge, even if you purchase and service the vehicle at different Van Centres. Some exclusions apply and the vehicle must be cared for using the guidance in your owner's manual. For more detail, please visit [www.volkswagen-vans.co.uk/aftersales](http://www.volkswagen-vans.co.uk/aftersales).


#### Extended warranty.


You can also extend your warranty beyond the standard warranty period, choosing either Comprehensive or Major Component cover, as a one-off or monthly payment. For more detail of cover levels, along with terms and conditions, please visit [volkswagencvwarranty.co.uk](http://volkswagencvwarranty.co.uk) where you'll also be able to obtain a quote and purchase an extended warranty.

### Paint and body warranty.

Your new Crafter chassis cab's exterior paintwork is covered against manufacturing defects for a period of three years, while its body sections and panels are covered against rusting through from the inside for 12 years. Some exclusions apply and the vehicle must be cared for using the guidance in your owner's manual.

- 1 Volkswagen Commercial Vehicles Insurance and Volkswagen Commercial Vehicle Financial Services are trading names of Volkswagen Financial Services (UK) Limited, Brunswick Court, Yeomans Drive, Blakelands, Milton Keynes MK14 5LR, which is authorised and regulated by the Financial Conduct Authority (FCA). Registered in England and Wales No. 2835230. Volkswagen Financial Services (UK) Limited financial services register number is 311988.
- 2 An offer of finance depends on certain conditions. Finance subject to status. Available to 18s and over. Terms and conditions apply. Volkswagen Commercial Vehicle Financial Services.
- 3 Volkswagen Commercial Vehicle Insurance is arranged by U K Insurance Business Solutions Limited and is underwritten by U K Insurance Limited. U K Insurance Business Solutions Limited is authorised and regulated by the Financial Conduct Authority and U K Insurance Limited is authorised by the Prudential Regulation Authority and regulated by the Financial Conduct Authority and the Prudential Regulation Authority. U K Insurance Business Solutions Limited. Registered office: Churchill Court, Westmoreland Road, Bromley, Kent BR1 1DP. Registered in England and Wales No. 05196274. Calls may be recorded.
- 4 Volkswagen Commercial Vehicle Insurance gap insurance is underwritten by MAPFRE Asistencia Compañía Internacional de Seguros y Reaseguros Sociedad Anonima authorised by Dirección General de Seguros y Fondos de Pensiones and subject to limited regulation by the Financial Conduct Authority and Prudential Regulation Authority, number 203041. Details about the extent of their regulation by the Financial Conduct Authority and Prudential Regulation Authority are available on request. MAPFRE Asistencia Compañía Internacional de Seguros y Reaseguros Sociedad Anonima is incorporated and registered in the Kingdom of Spain and registered as a foreign company in the United Kingdom with company number FC021974, acting through its UK branch with branch number BR008042 and whose principal office is at Alpha House, 5th Floor, 24A Lime Street, London EC3M 7HS. Volkswagen Commercial Vehicle Insurance gap insurance is administered by Abraxas Insurance Administration Services Limited, who is authorised and regulated by the Financial Conduct Authority with FCA number 308702 and who acts on behalf of the Insurer. Abraxas Insurance Administration Services Limited is registered in England and Wales with company number: 02928787 and whose registered office is at One Glass Wharf, Bristol BS2 0SX. Volkswagen Financial Services (UK) Limited is authorised and regulated by the Financial Conduct Authority (FCA). Authorisation details can be checked on the Financial Services register at [www.fca.org.uk/firms/systems-reporting/register](http://www.fca.org.uk/firms/systems-reporting/register) or call 0800 111 6768. Volkswagen Financial Services (UK) Limited is not part of the same corporate group as MAPFRE Asistencia Compañía Internacional de Seguros y Reaseguros Sociedad Anonima and Abraxas Insurance Administration Service Limited.
- 5 Business Vans Awards 2014 and 2015: Best Service Package for Van Owners.
- 6 Class 4 MOT only. This option is available to all new and used vehicles up to four years old or with less than 80,000 miles on the clock. Services must be used consecutively prior to vehicle reaching eight years old.

 Build  
your own

 Find a  
Van Centre

 Test drive

 Offers &  
Finance

 Conversions

 Comparator



# The Crafter chassis cab

This brochure supersedes all previous publications.  
Issue: 1 November 2019  
volkswagen-vans.co.uk

Please note: Screen technology does not allow exact reproduction of the paint and upholstery colours. Some of the vehicles shown are European specification and may be fitted with optional equipment or accessories that are available at extra cost, or do not reflect current specification. All data and specifications are in accordance with information available at the time of publication and are subject to change without notice. Vehicles not currently in UK stock and customer order vehicles may take a number of weeks for delivery. Certain combinations of vehicle specifications and factory-fitted options are not compatible and therefore all orders received are subject to confirmation. Models, factory fitted-options and paint and upholstery options are subject to availability. Please check details and availability with an authorised Volkswagen Van Centre at the time of ordering.